

**SECTION 3. PARTS INFORMATION**

**3-1. INTRODUCTION**

This section lists the replaceable parts of the Henny Penny OFE/OFG- 32x Open Fryers.

**3-2. GENUINE PARTS**

Use only genuine Henny Penny parts in your fryer. Using a part of lesser quality or substitute design may result in damage to the unit or personal injury.

**3-3. WHEN ORDERING PARTS**

Once the parts that you want to order have been found in the parts list, write down the following information:

Item Number	8	Example:
Part Number	31561	
Description	On/Off Switch	

From the data plate, list the following information:

Product Number	01400	Example:
Serial Number	0001	
Voltage	208	

**3.4 PRICES**

Your distributor has a price parts list and will be glad to inform you of the cost of your parts order.

**3.5 DELIVERY**

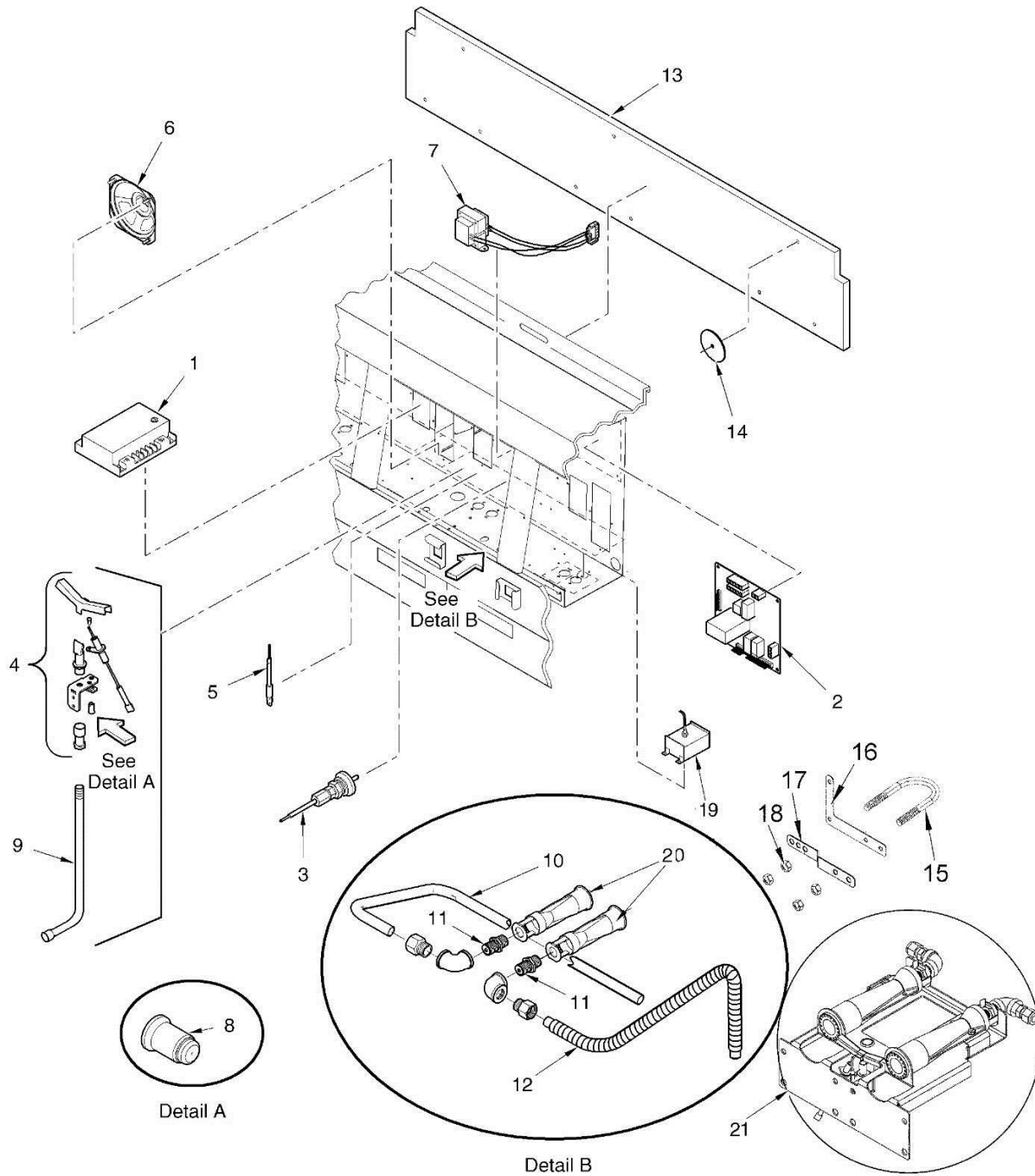
Commonly replaced items are stocked by your distributor and will be sent to you when your order is received. Other parts will be ordered, by your distributor, from Henny Penny Corporation. Normally, these will be sent to your distributor within three working days.

**3.6 WARRANTY**

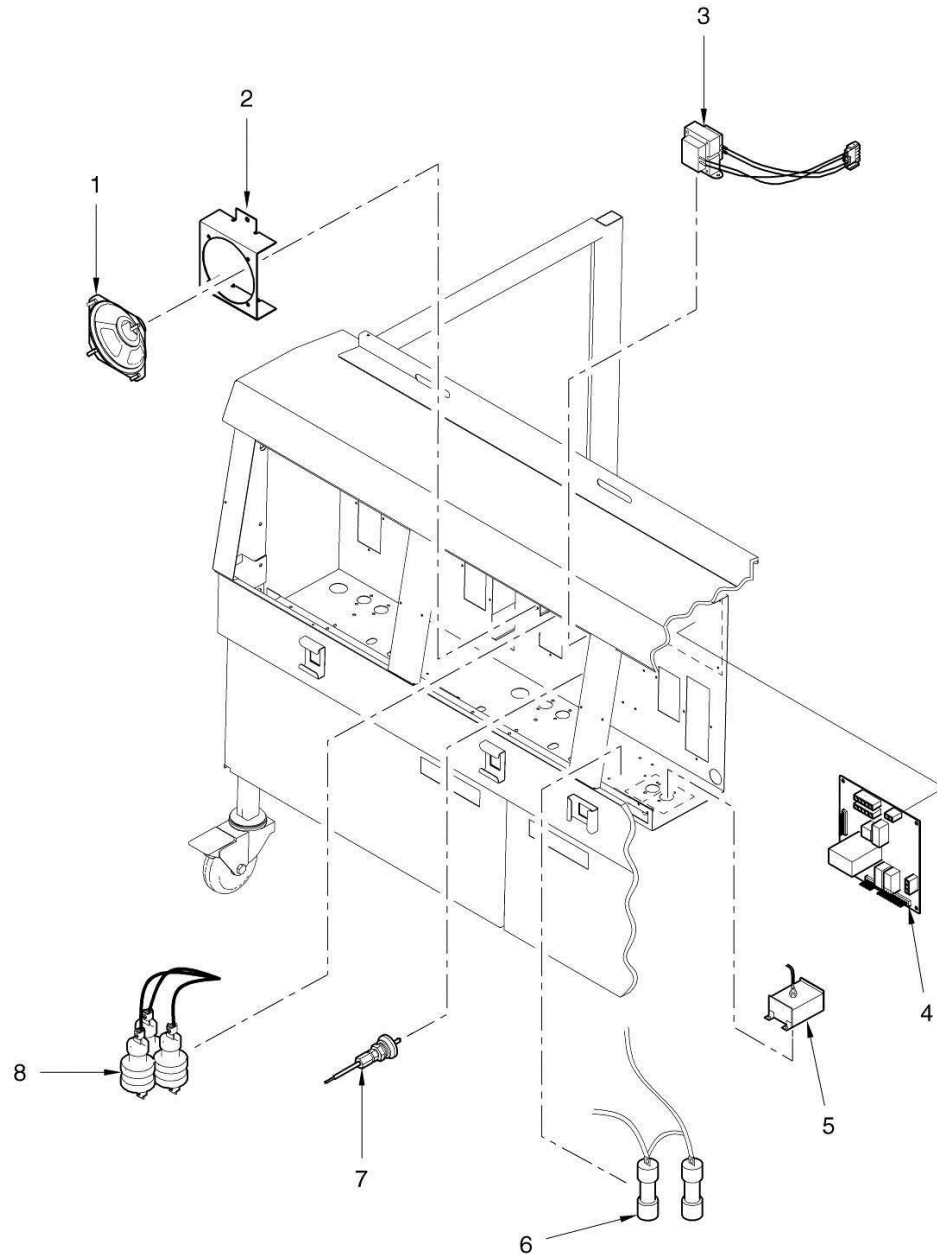
All replacement parts (except lamps and fuses) are warranted for 90 days against manufacturing defects and workmanship. If damage occurs during shipping, notify the carrier at once so that a claim may be properly filed. Refer to warranty in the front of this manual for other rights and limitations.

**3.7 RECOMMENDED**

Recommended maintenance schedule should be followed by distributor.



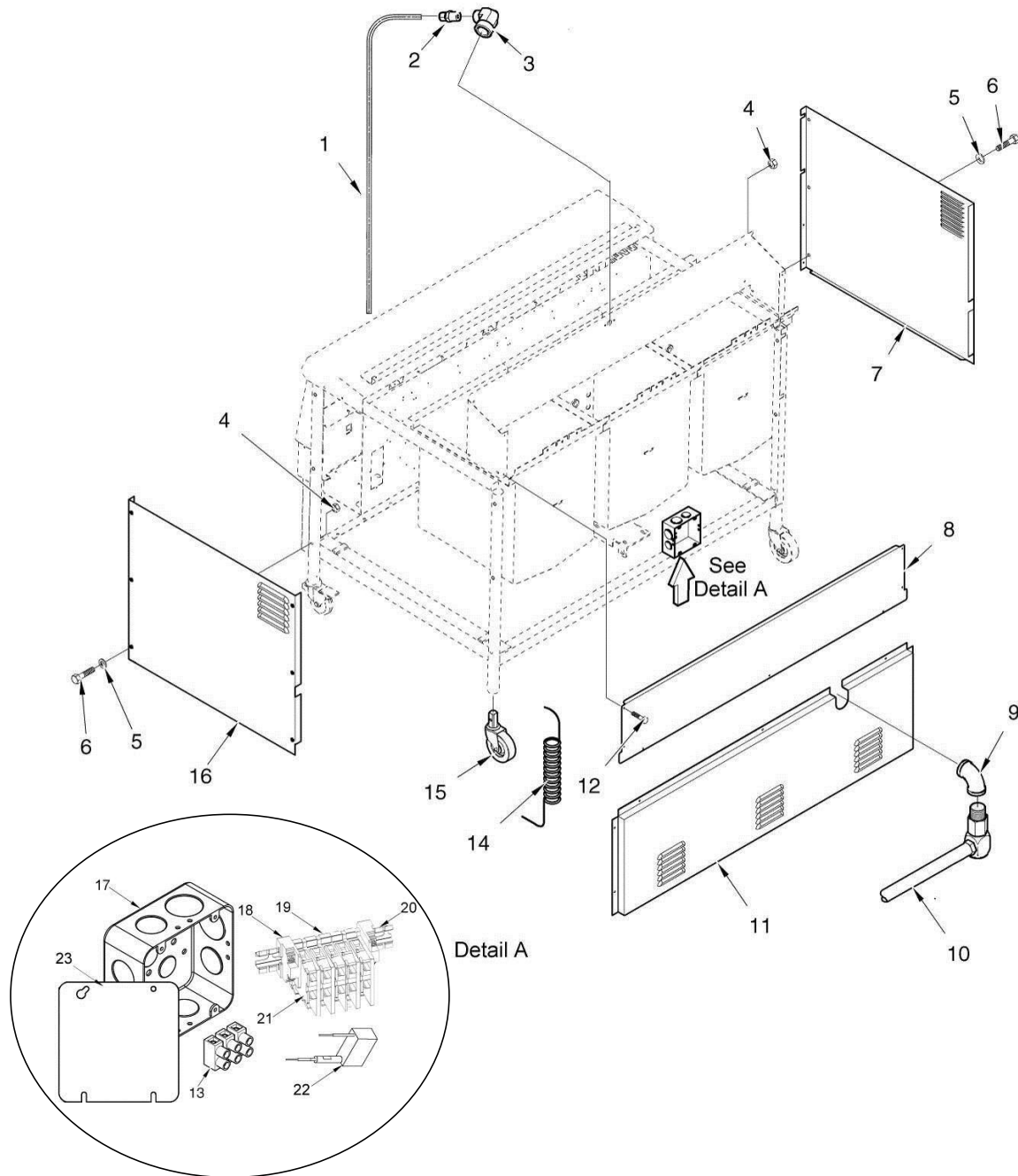
ITEM NO.	PART NO.	DESCRIPTION	QTY. PER UNIT		
			321	322	323
	GAS HEAT				
1	14936	KIT - IGNITION MODULE- CE (SN:BN0712013 & BELOW)	1	2	3
<input type="checkbox"/> 1	77602	IGNITION MODULE- CE (SN:BN0712014 & ABOVE)	1	2	3
<input type="checkbox"/> 1	14935	KIT-IGNITION MDL-NON-CE (SN:BN0803028 & BELOW)	1	2	3
<input type="checkbox"/> 1	77839	IGNITION MDL- NON-CE (SN:BN0803029 & ABOVE)	1	2	3
<input type="checkbox"/> 2	60430RB	I/O BOARD ASSY. (BELOW SN: BN0908013/ BP0908001) (BELOW SN: BB0908001/ BA0908015)	1	2	3
<input type="checkbox"/> 2	27286RB	I/O BOARD ASSY. (SN: BN0908013/ BP0908001 & ABOVE) (SN: BB0908001/ BA0908015 & ABOVE)	1	2	3
<input type="checkbox"/> 3	14994	KIT – OFG32X- FULL - PROBE	1	2	3
4	60266	TEE STYLE PILOT ASSY-NAT. (SN: BN0903010 & BELOW)	1	2	3
4	76067	TEE STYLE PILOT ASSY-NAT. (SN: BN0903011 & ABOVE)	1	2	3
4	71981	TEE STYLE PILOT ASSY-LP (SN: BN0903010 & BELOW)	1	2	3
4	81836	TEE STYLE PILOT ASSY-LP. (SN: BN0903011 & ABOVE)	1	2	3
<input type="checkbox"/> 5	60292	PILOT FLAME SENSOR (SN: BN0903010 & BELOW)	1	2	3
<input type="checkbox"/> 5	81786	PILOT FLAME SENSOR (SN: BN0903011 & ABOVE)	1	2	3
<input type="checkbox"/> 6	54561	SPEAKER ASSY.	1	2	3
<input type="checkbox"/> 7	60207	120V TO 24V TRANSFORMER (GAS ONLY)	1	2	3
8	60614	PILOT ORIFICE (LPG) (SN: BN0903010 & BELOW)	1	2	3
8	76505-2	PILOT ORIFICE (LPG) (SN: BN0903011 & ABOVE)	1	2	3
8	60613	PILOT ORIFICE (NAT. GAS) (SN: BN0903010 & BELOW)	1	2	3
8	76505-1	PILOT ORIFICE (NAT. GAS) (SN: BN0903011 & ABOVE)	1	2	3
9	69441	TUBE, ¼ X 10 FLEX SS - PILOT	1	2	3
9	69450	TUBE, ¼ X 15 FLEX SS - PILOT	1	2	3
10	69443	TUBE, 3/8 X 18 FLEX SS - BURNER	1	2	3
11	64055-02	BURNER ORIFICE (LPG)	2	4	6
11	64055-06	BURNER ORIFICE (NAT. GAS)	2	4	6
12	70812	TUBE MANIFOLD	1	2	3
13	60513	INSULATION, FRONT	1	-	-
13	60461	INSULATION, FRONT	-	1	-
13	60183	INSULATION, FRONT	-	-	1
14	WA02-001	WASHER	3	6	9
15	60808	BOLT – U - 2-1/4 X 1-1/4	1	2	3
16	70877	BRACKET – GAS LINE – RH	1	2	3
17	70878	BRACKET – GAS LINE – LH	1	2	3
18	NS02-002	NUT – KEPS - ¼-20 C	4	8	12
<input type="checkbox"/> 19	60241	425□HIGH LIMIT ASSY.	1	2	3
20	60032	BURNER – INSHOT	2	4	6
21	60395-02	ASSY– BURNER/PILOT–LP (W/64055-02 ORIFICE) (SN: BN0903010 & BELOW)	1	2	3
21	81787-02	ASSY– BURNER/PILOT–LP (W/64055-02 ORIFICE) (SN: BN0903011 & ABOVE)	1	2	3
21	60395-06	ASSY– BURNER/PILOT–NAT (W/64055-06 ORIFICE) (SN: BN0903010 & BELOW)	1	2	3
21	81787-06	ASSY– BURNER/PILOT–NAT (W/64055-06 ORIFICE) (SN: BN0903011 & ABOVE)	1	2	3



PART NO. ITEM NO.	DESCRIPTION	QTY. PER UNIT		
		321	322	323
	ELECTRIC HEAT CONTROLS			
<input type="checkbox"/> 1	54561 SPEAKER ASSY.	1	2	3
<input type="checkbox"/> 1	26863 SPEAKER ASSY. (CFA ONLY)	1	2	3
2	60781 SPEAKER BRACKET ASSY. (ELEC. ONLY)	1	2	3
2	24916 SPEAKER BRACKET ASSY. (CFA ONLY)	1	2	3
<input type="checkbox"/> 3	60536 24V/230V TRANSFORMER ASSY. (ELEC. & INT'L. GAS)	1	2	3
<input type="checkbox"/> 4	60430RB I/O BOARD ASSY. (SN: BA0908014 & BELOW) (CFA USES 27286RB)	1	2	3
<input type="checkbox"/> 4	80998RB I/O BOARD ASSY. – SPLIT VAT	1	2	3
<input type="checkbox"/> 4	27286RB I/O BOARD ASSY. FRYERS SN -BA0908015 & ABOVE)	1	2	3
<input type="checkbox"/> 5	60241 425□HIGH LIMIT ASSY.	1	2	3
<input type="checkbox"/> 6	EF02-006 15A 250V FUSE HOLDER (SN: BA0608031 & below)	2	4	6
<input type="checkbox"/> 6	EF02-104 20A 250V FUSE HOLDER-CE (SN: BA0605007 to Sept. 17, 2007)	2	4	6
<input type="checkbox"/> 6	EF02-007 15 AMP FUSE (SN: BA0608031 & below) (CE UNITS BUILT SEPT. 17, 2007 & AFTER USE EF02-125)	2	4	6
6	EF02-105 15 AMP FUSE-CE (SN: BA0605007 to Sept. 17, 2007) (CE UNITS BUILT SEPT. 17, 2007 & AFTER USE EF02-125)	2	4	6
<input type="checkbox"/> 6	EF02-125 BREAKER-PUSH BUTTON RESET (SN: BA0608032& after)	2	4	6
<input type="checkbox"/> 7	14776 KIT – ELECTRIC TEMP 6” PROBE – C8000 (OFE- SN: Before SN: BA0908015/ OEA-Before SN: BB0908001)	1	2	3
<input type="checkbox"/> 7	14990 KIT – OFE32X – FULL – 3” PROBE (OFE- SN: BA0908015 & After/ OEA- SN: BB0908001 & After)	1	2	3
<input type="checkbox"/> 7	14991 KIT – OFE32X – C1000 – SPLIT - PROBE		1 PER VAT	
<input type="checkbox"/> 8	29510 24V MERCURY CONTACTOR-SN: BA0810019 & BEFORE (CE FRYERS USE 29510 BEFORE JAN. 1, 2003-SEE CHART BELOW)	2	4	6
<input type="checkbox"/> 8	29509 KIT-E/M 24V CONTACTOR-PRIMARY (SN: BA0810020 & AFTER-EXCEPT WENDY'S-SEE CHART BELOW)	1	2	3
<input type="checkbox"/> 8	65073 24V-E/M CONTACTOR-PRIMARY & SECONDARY-WENDY'S (SN: BA0810020 & ABOVE-SEE CHART BELOW) (CE FRYERS USE 65073 JAN. 1, 2003 & AFTER-SEE CHART BELOW) (ALL OTHER FRYERS USE 65073 AS SECONDARY SN: BA0810020 & ABOVE-SEE CHART BELOW)	2	4	6
<input type="checkbox"/> 9*	60810 I/O BOARD TO CONTROL CABLE - 4 PIN	1	2	3
<input type="checkbox"/> 10*	60838 TRANSFORMER -480V TO 240V	1	2	3
<input type="checkbox"/> 11*	60847 TRANSFORMER MOUNTING BRACKET	1	2	3
<input type="checkbox"/> 12*	19923 TRANSFORMER-LARGE--480V-240V (480V FRYERS)	1	2	3
13	60722 BLOCK – 60 AMP FUSE (22 KW FRYERS ONLY)	1	2	3
<input type="checkbox"/> 14	14970 FUSE – 60 AMP (22 KW FRYERS ONLY) – SET OF 3	1	2	3
<input type="checkbox"/> 15	24347 ASSEMBLY – CURRENT SENSE XFORMERS	1	2	3
16*	83421 HARN-OFG32X C8000 CONTROL		A/R	

recommended parts

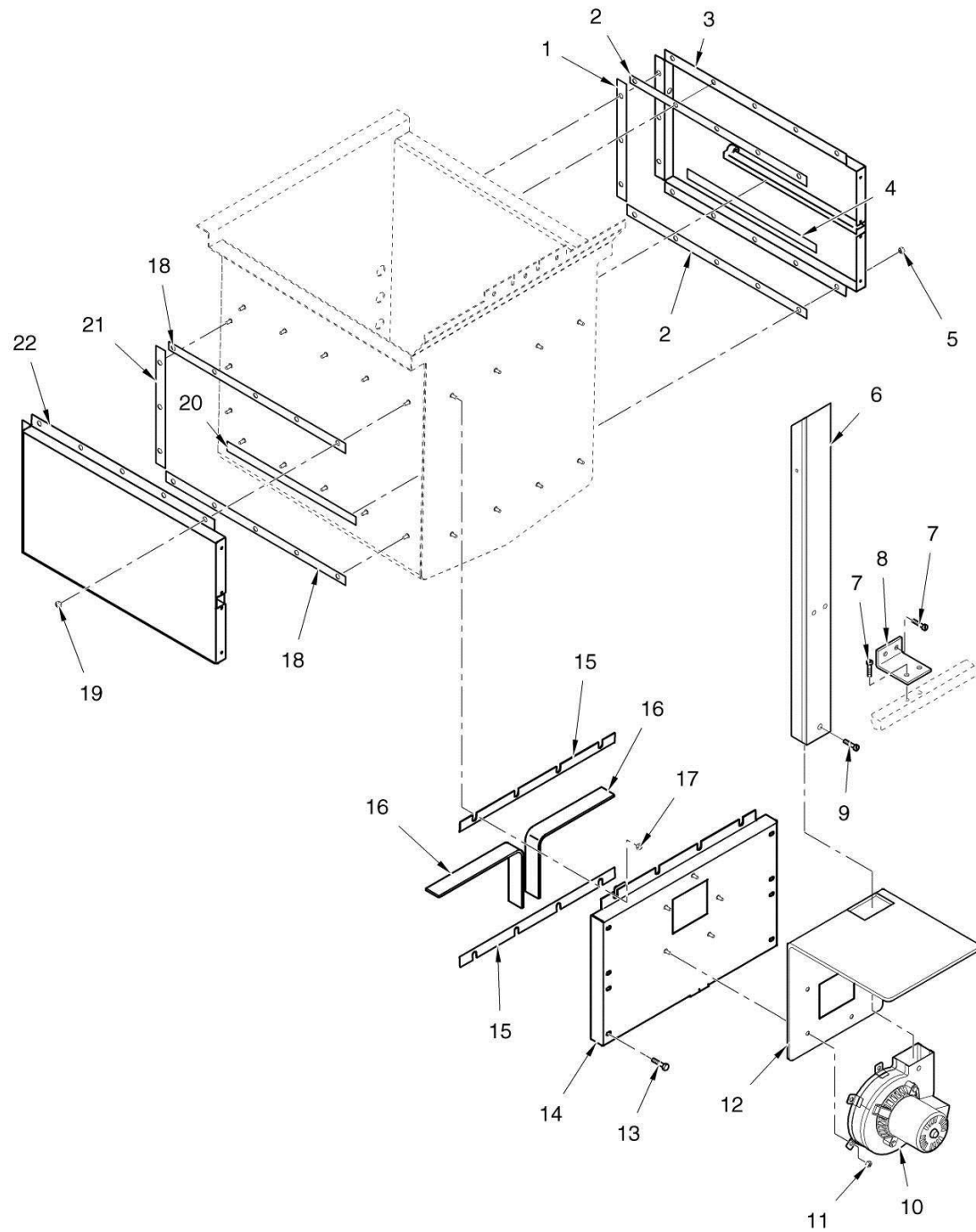
\*not shown



Side, Top, & Rear Panels

PART NO. ITEM NO.	DESCRIPTION	QTY PER UNIT		
		321	322	323
	SIDE, TOP, AND REAR PANELS			
1	14854 KIT – OFG322 - 3/8 TO 5/8 RETURN RETROFIT	-	1	-
1	14856 KIT – OFE322 - 3/8 TO 5/8 RETURN RETROFIT	-	1	-
1	14860 KIT – OFG324 - 3/8 TO 5/8 RETURN RETROFIT	-	1	-
1	14861 KIT – OFE324 - 3/8 TO 5/8 RETURN RETROFIT	-	1	-
1	14862 KIT – OFX321 & 323 - 3/8 TO 5/8 RETURN RETROFIT	1	-	1
1	60293 TUBE, OIL RETURN LINE (321 SN: BN022JB & BELOW) (323 BEFORE 12/1/06)	1	-	1
1	71459 TUBE, OIL RETURN LINE (323 – 12/1/06 & AFTER)	-	-	1
1	60504 TUBE, OIL RETURN LINE (322 & 324 BEFORE 12/1/06)	-	1	-
1	71471 TUBE, OIL RETURN LINE (322 & 324 – 12/1/06 & AFTER)	-	1	-
2	FP01-082 CONNECTOR - 3/8 TUBE TO ½ NPT SS (321s SN: BN022JB & BELOW)	2	2	2
3	FP01-087 ELBOW (321s SN: BN022JB & BELOW)	1	1	1
4	NS02-002 NUT, END PANEL RETAINING	6	6	6
5	WA01-002 FLAT WASHER	6	6	6
6	SC01-216 SCREW	8	8	8
7	60551 GM- SIDE PANEL, LH (BEFORE SN:BA0906039) GAS- BEFORE SN: BN0906050	1	1	1
7	60551 SIDE PANEL, LH-WENDY'S	1	1	1
7	83216 SIDE PANEL, LH (CE) (BEFORE SN: BA0909034)	1	1	1
8	60368 TOP REAR COVER (3 WELL)	-	-	1
8	60471 TOP REAR COVER (2 WELL)	-	1	-
8	60527 TOP REAR COVER (1 WELL)	1	-	-
9	FP01-098 ELBOW, MAIN GAS INLET CONNECTION	1	1	1
10	60618 GAS LINE, 1/2 IN. W/DOUBLE SWIVEL (321)	1	-	-
10	33501 GAS LINE, 3/4 IN. W/DOUBLE SWIVEL (322)	-	1	-
10	33167 GAS LINE, 1 IN. W/DOUBLE SWIVEL (323)	-	-	1
11	60369 BOTTOM REAR COVER (GAS ONLY-323)	-	-	1
11	60472 BOTTOM REAR COVER (GAS ONLY-322)	-	1	-
11	60528 BOTTOM REAR COVER (GAS ONLY-321)	1	-	-
12	SC03-005 SCREW, BOX RETAINING	2	2	2
13	ME50-021 TERMINAL BLOCK (GAS)	1	1	1
13	63097 TERMINAL BLOCK – 2 POLE (CFA ONLY)	1	1	1
14	33353 120V COILED POWER CORD (GAS ONLY)	1	1	1
15	60312 CASTER 4 IN. W/O BRAKE	2	2	2
16	60552 GM- SIDE PANEL, RH (BEFORE SN:BA0906039) GAS- BEFORE SN: BN0906050	1	1	1
16	60552 SIDE PANEL, RH WENDY'S	1	1	1
16	83217 SIDE PANEL, RH(CE) (BEFORE SN: BA0909034)	1	1	1
17	19707 BOX – JUNCTION	1	1	1
18	18135 END CLAMP (OFE/OEA)	2	2	2
19	18127 TERMINAL BLOCK (OFE/OEA)	5	5	5
20	18136 TRACK – 3-1/2 INCH LONG (OFE/OEA)	1	1	1
21	18128 BUCHANAN END – 230 (OFE/OEA)	1	1	1
22	36012 ASSY – CAPACITOR/RESISTOR	1	1	1
23	19708 COVER – JUNCTION BOX	1	1	1
24*	33514 CORD – TETHER, 60 IN.	1	1	1

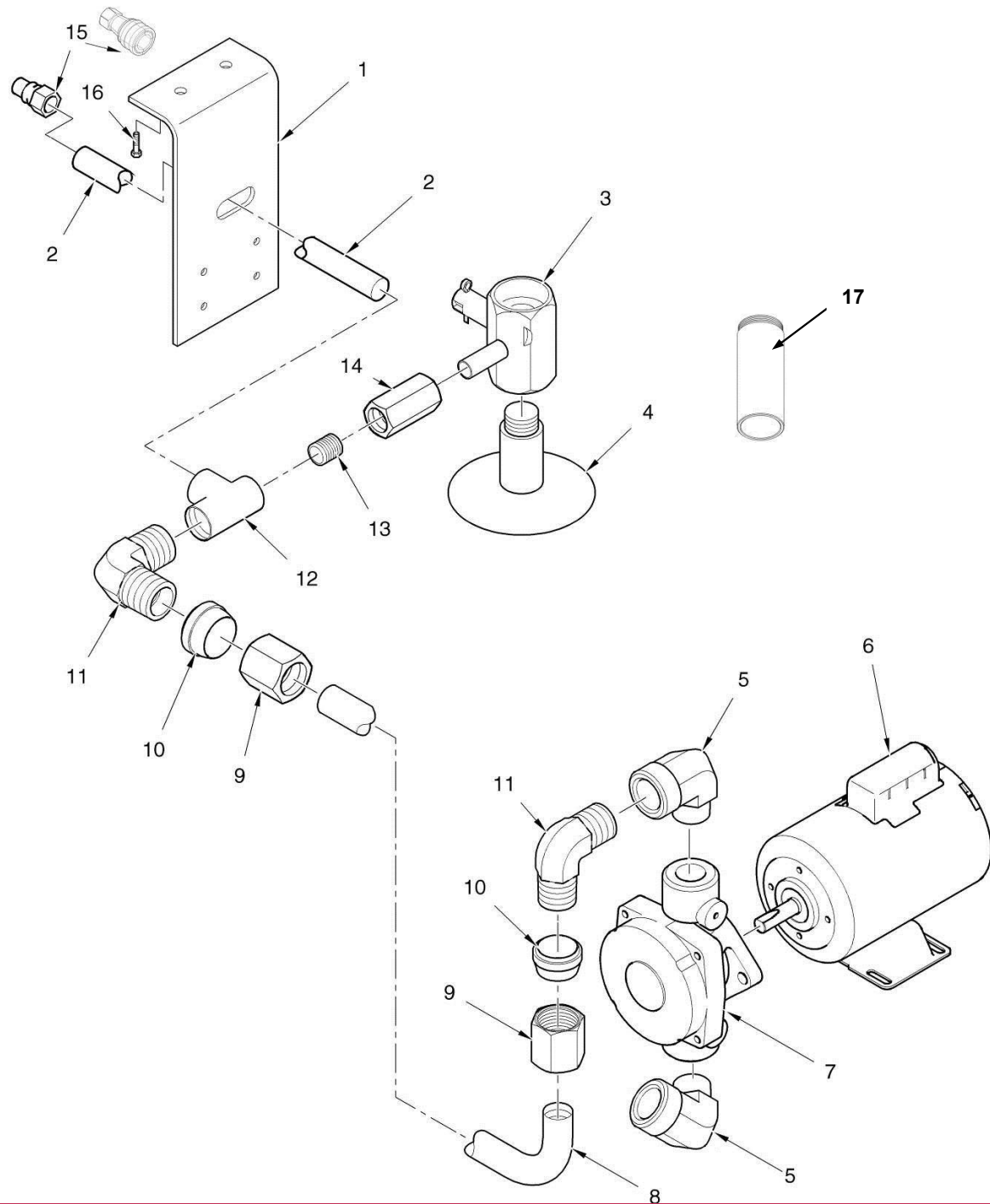






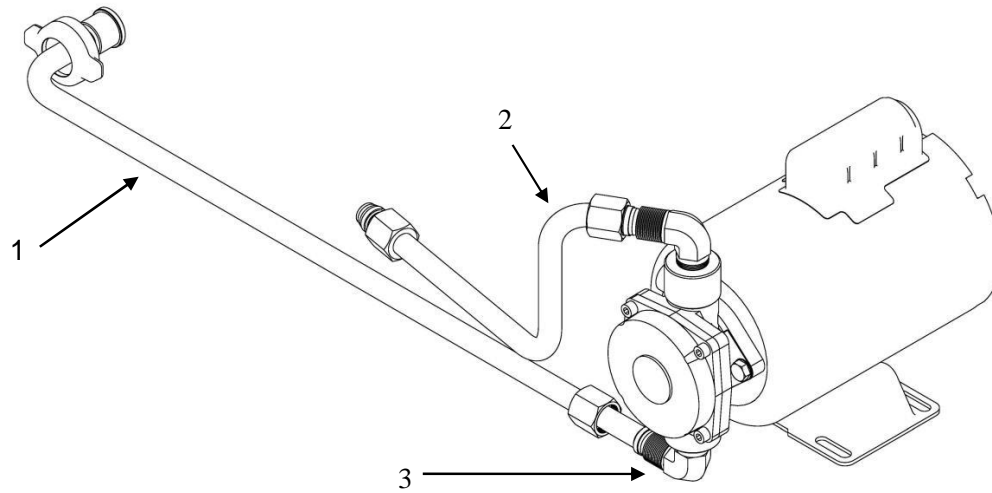
PART NO. ITEM NO.	DESCRIPTION	QTY. PER UNIT			
		321	322	323	
GAS HEAT DUCTING & INSULATION					
1	60181	INSULATION, LH DUCT, FRONT & REAR	2	4	6
2	60180	INSULATION, LH DUCT, TOP & BOTTOM	2	4	6
3	60387	LH SIDE FLUE DUCT ASSY.	2	4	6
4	60182	INSULATION, LH DUCT, DIVIDER	1	2	3
5	NS02-002	NUT, LH DUCT RETAINING	13	26	39
6	60159	FLUE ASSY.	1	2	3
7	SC03-005	SCREW, BRACKET RETAINING	4	8	12
8	60359	BRACKET, FLUE RETAINING	1	2	3
9	SC03-005	SCREW, FLUE SECURING	3	6	9
<input type="checkbox"/> 10	14420	KIT - BLOWER MOTOR ASSY – 120V (GAS ONLY)	1	2	3
<input type="checkbox"/> 10	14422	KIT - BLOWER MOTOR ASSY – 220-240V (GAS ONLY)	1	2	3
11	NS02-006	NUT, BLOWER AND SPACER RETAINING	5	10	15
12	60392	RESTRICTOR PLATE/SPACER ASSY.	1	2	3
12	60523	RESTRICTOR PLATE/SPACER ASSY. (CE)	1	2	3
13	SC03-005	SCREW, BOX RETAINING	8	16	24
14	60338	COLLECTOR BOX ASSY.	1	2	3
15	60179	INSULATION, BOX TOP & BOTTOM	2	4	6
16	60373	INSULATION, BOX BAFFLE	2	4	6
17	NS02-006	NUT, BOX RETAINING	4	8	12
18	60180	INSULATION, RH DUCT, TOP & BOTTOM	2	4	6
19	NS02-002	NUT, RH DUCT RETAINING	13	26	39
20	60182	INSULATION, RH DUCT, DIVIDER	1	2	3
21	60181	INSULATION, RH DUCT, FRONT & REAR	2	4	6
22	60386	RH SIDE FLUE DUCT ASSY.	2	4	6

recommended parts



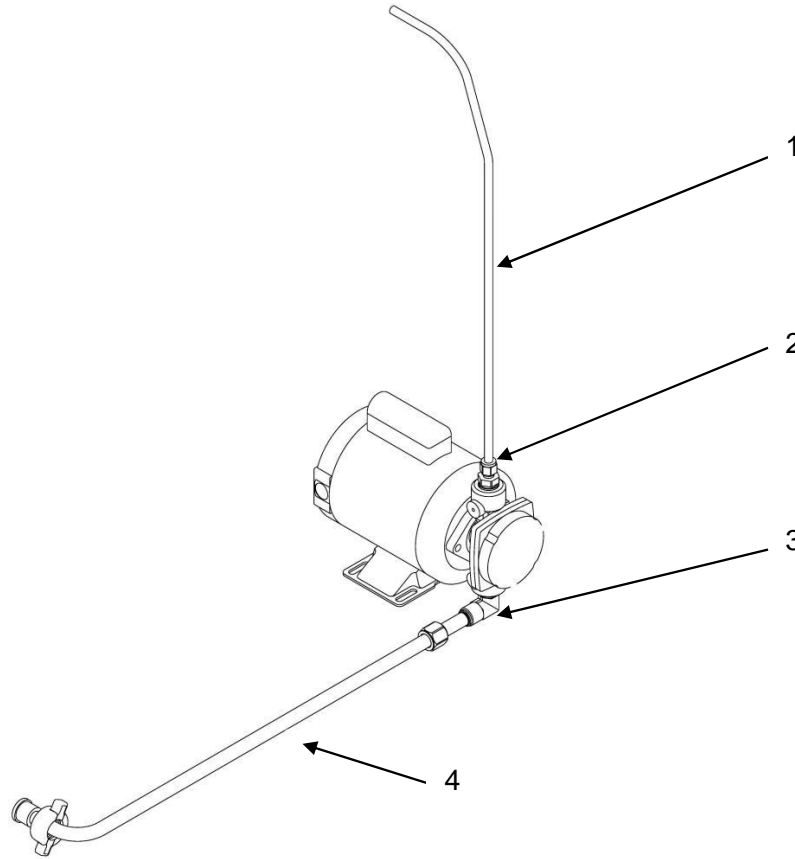
PART NO. ITEM NO.	DESCRIPTION	QTY. PER UNIT		
		321	322	323
3-5	OIL FILTERING SYSTEM			
1	66005 FRONT PLATE	1	-	-
2	17320 PIPE, FRONT ( BN023JB & AFTER)	1	-	-
3	55152 DRAIN VALVE & COUPLING ASSY.	1	2	3
4	60388 DRAIN VALVE EXTENSION (GAS) (321, (SN: BN022JB & BELOW; 322 & 323, SN: GN045JB & BELOW)	1	2	3
4	60736 DRAIN VALVE EXT. (ELECT.) (SN: GM024JB & BELOW)	1	2	3
4	24643 DRAIN VALVE EXT. (ELECT.) (SN: GM025JB & ABOVE)	1	2	3
4	24420 DRAIN VALVE EXTENSION – OFG-322/323 (GAS-SN: GN046JB & ABOVE)	-	2	3
4	23839 DRAIN VALVE EXTENSION (OFG-321, SN: BN023JB & ABOVE)	1	-	-
5	16239 ELBOW, FILTER PUMP	2	-	-
6	67589 ASSY – FILTER PUMP & MOTOR			
<input type="checkbox"/> 6	67583 FILTER PUMP MOTOR, 1/2 HP	1	1	1
7	17437 FILTER PUMP	1	1	1
8	26966 ASSY – POT TO PUMP TUBE – OFE-321	1	-	-
8	24257 ASSY – POT TO PUMP TUBE – OFG-321	1	-	-
9	16809 NUT, FILTER TO VALVE TUBE	2	-	-
10	16808 FERRULE, FILTER TO VALVE TUBE	2	-	-
11	17407 ELBOW, FILTER PUMP TUBE	1	-	-
12	17306 TEE	1	-	-
13	FP02-001 NIPPLE	1	-	-
<input type="checkbox"/> 14	17308 VALVE, FILTER	1	-	-
15	17334 QUICK CONNECT FITTING - MALE	1	-	-
15	17333 QUICK CONNECT FITTING - FEMALE	1	-	-
16	SC03-005 SCREW, PLATE RETAINING	2	-	-
17	78384 EXTENSION – 321 SPLIT VAT – DRAIN	1	-	-

recommended parts



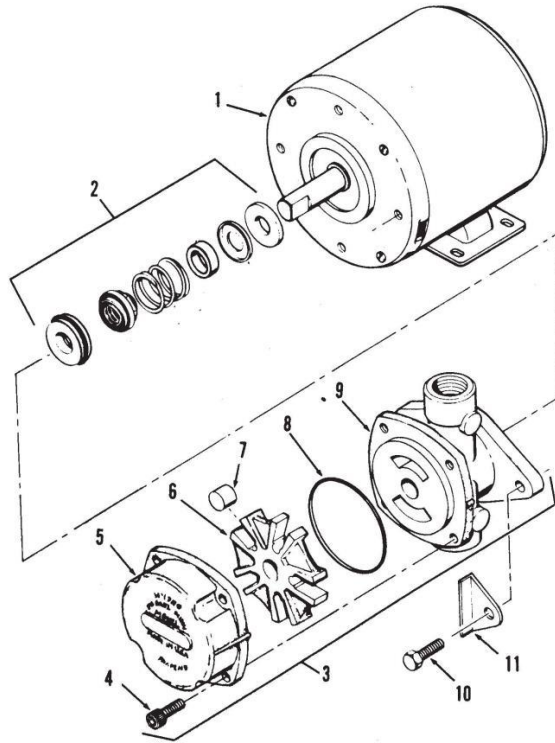
**Assy- Pump Motor/Tubing-OFG321**

<b>PART NO. ITEM NO.</b>	<b>DESCRIPTION</b>	<b>QTY. PER UNIT 321</b>
1 60442	ASSY-TUBE FILTER TO PUMP Gas (Before SN: BN1105020	1
1 91600	ASSY- BENT TUBE FILTER TO PUMP Gas (After SN: BN1105020	1
2 24257	ASSY-TUBE PUMP TO POT OFG321	1
3 17407	CONNCECTOR ½ MALE ELBOW	1



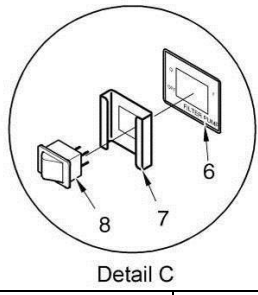
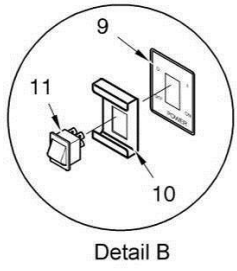
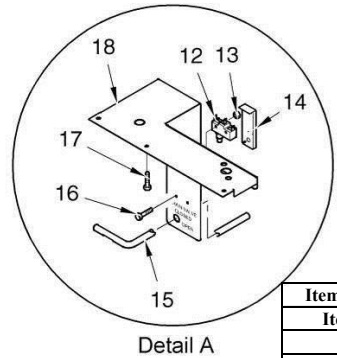
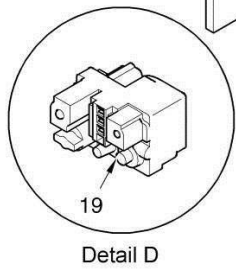
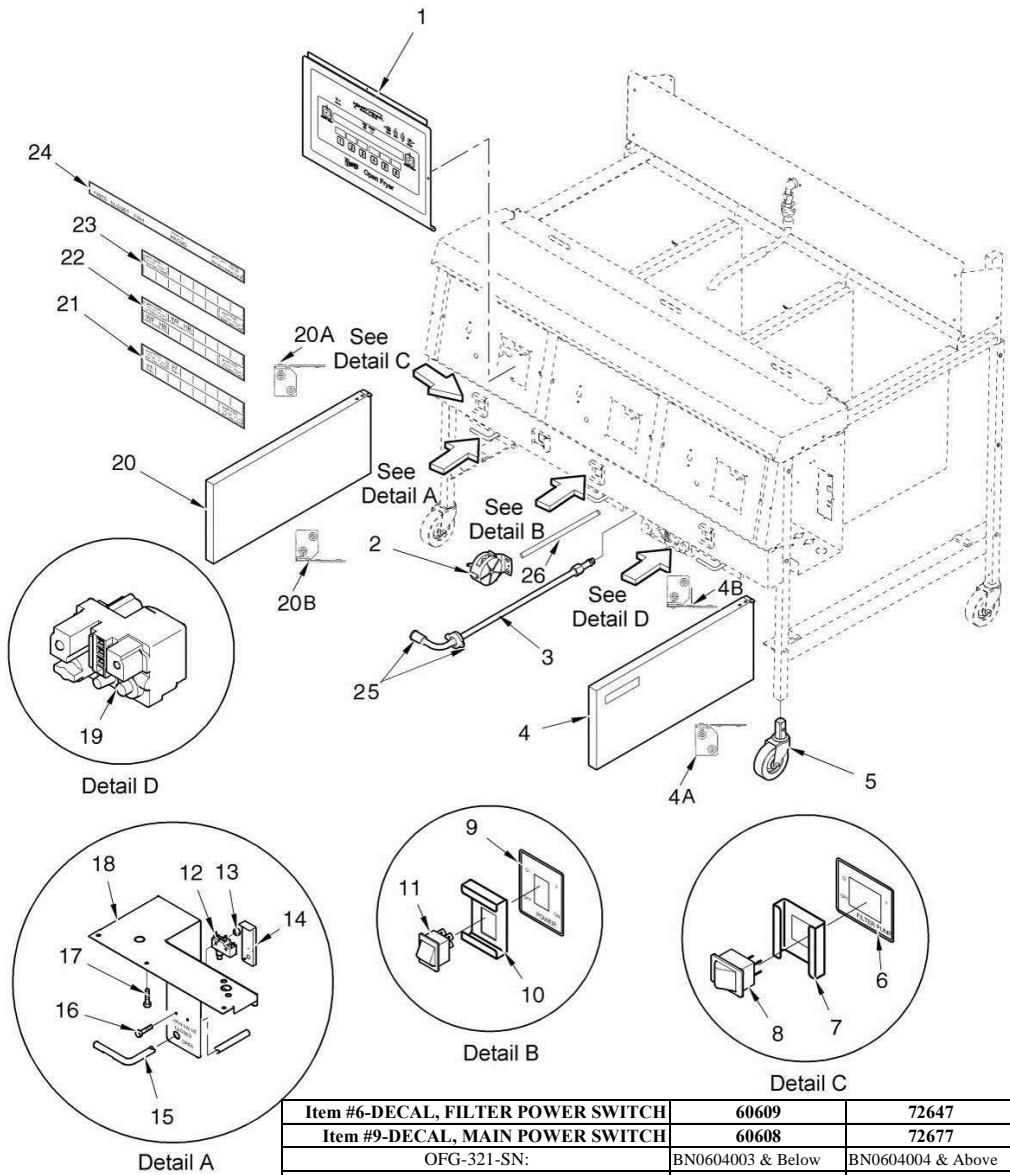
**Assy-Pump Motor/Tubing 322-323**

PART NO. ITEM NO.	DESCRIPTION	QTY. PER UNIT	
		322	323
1 60293	TUBE-OIL RETURN LINE	1	1
2 FP01-082	CONNECTOR - 3/8 TUBE TO 1/2 NPT SS		
3 17407	ELBOW, FILTER PUMP TUBE	1	1
4 60442	ASSY-TUBE FILTER TO PUMP	1	1
Gas (Before SN: BN1105020) Electric (Before SN: BN1105020)			



**Oil Filtering System**

PART NO. ITEM NO.	DESCRIPTION	QTY. PER UNIT
√1 67583	MOTOR, 1/2 HP - 50/60 Hz	1
√2 17476	SEAL KIT	1
√3 17437	PUMP ASSEMBLY	1
√4 SC01-132	SCREW, Pump Cover	1
√5 17451	COVER, Pump	1
√6 17447	ROTOR, Pump	1
√7 17446	ROLLER, Pump	5
√8 17453	O-RING	1
√9 17454	BODY, Pump	1
√10 17456	SHIELD, Pump	2
√11 SC01-026	SCREW, Pump Shield	1

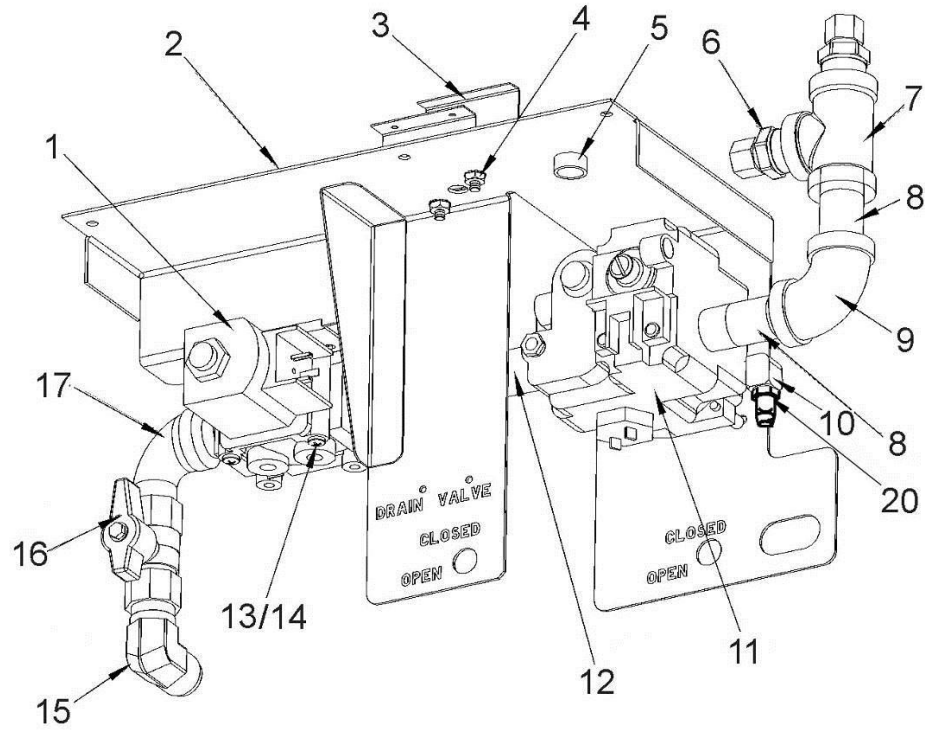


Item #6-DECAL, FILTER POWER SWITCH	60609	72647
Item #9-DECAL, MAIN POWER SWITCH	60608	72677
OFG-321-SN:	BN0604003 & Below	BN0604004 & Above
OGA-321-SN:	Below SN BP0604001	BP0604001 & Above
OFE-321-SN:	BA0604010 & Below	BA0604011 & Above
OEA-321-SN:	BB0604002 & Below	BB0604003 & Above
OFG-322-SN:	BN0604004 & Below	BN0604005 & Above
OGA-322-SN:	BP0605006 & Below	BP0605007 & Above
OFE-322-SN:	BA0604001 & Below	BA0604002 & Above

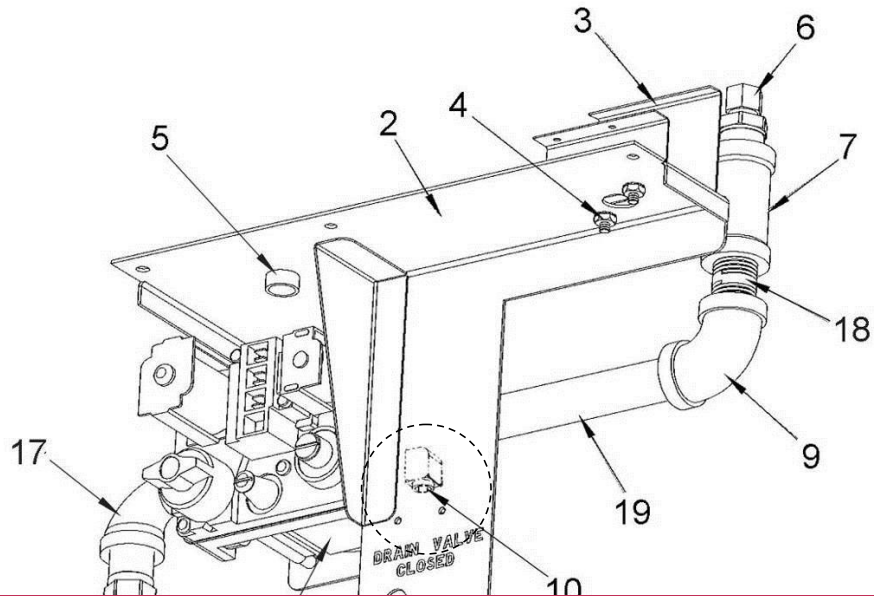


3-15		806		
PART NO.	DESCRIPTION	QTY. PER UNIT		
ITEM NO.	DOOR, SWITCHES, MENU CARD, & CONTROL BOARD	321	322	323
□ 1	60603RB 6 TIMER CONTROL BOARD ASSY.	1	2	3
□ 1	69058RB 6 TIMER CONTROL BOARD ASSY. (CAFÉ EXPRESS)	1	2	3
□ 1	60796RB 12 TIMER CONTROL BOARD ASSY.	1	2	3
□ 1	67924RB 12 TIMER CONTROL BOARD ASSY. (CFA ONLY)	1	2	3
□ 1	69704RB 12 TIMER CONTROL BOARD ASSY.(POLLO CAMPERO ONLY)	1	2	3
□ 1	14949 ASSY – C1000 CONTROL	1	2	3
□ 1	81067RB ASSY - C8000 CONTROL – SPLIT VAT	1	2	3
-	60586 DECAL - CONTROL, OFG-320 (WENDY'S 6 TIMER)	1	2	3
-	61481 DECAL-OFG 12 BUTTON GM	1	2	3
2	14894 KIT - OFG 32X VAC SWITCH REPLACE (GAS ONLY)	1	2	3
3	60442 FILTER TO PUMP TUBE ASSY(321-SN:BN023JB & ABOVE)	1	1	1
4	71879 RIGHT DOOR ASSY. (3 WELL)	-	-	1
4	71874 RIGHT DOOR ASSY. (2 WELL)	-	1	-
4A	17618 HINGE – DOOR – TOP	1	1	1
4B	17620 HINGE – DOOR – BOTTOM	1	1	1
5	52064 4 IN. SWIVEL CASTER W/ BRAKE	2	2	2
6	SEE CHART ON PREVIOUS PAGE	1	1	1
7	60844 SWITCH GUARD, FILTER SWITCH	1	1	1
□ 8	72277 FILTER SWITCH	1	1	1
9	SEE CHART ON PREVIOUS PAGE	1	2	3
10	60844 SWITCH GUARD, POWER SWITCH	1	2	3
□ 11	72277 POWER SWITCH ASSY.	1	2	3
□ 11	52224 COVERED POWER SWITCH (CE)	1	2	3
12	14681 KIT – OFE-321 N/O DRAIN SWITCH	1	-	-
12	14682 KIT – OFG-321 N/O DRAIN SWITCH	1	-	-
12	14650 KIT – OFG-322 & 323 N/O DRAIN SWITCH	-	2	3
12	14651 KIT – OFE-322 & 323 N/O DRAIN SWITCH	-	2	3
□ 12	18227 DRAIN MICROSWITCH	1	2	3
13	NS02-005 NUT	2	4	6
14	59224 DRAIN SWITCH COVER - GAS	1	2	3
15	18818 DRAIN VALVE EXTENSION ROD	1	2	2
15	74193 ROD – N/O 320 DRAIN –OFE-32X (USED ON OFG-32X SN: BN0901008 & BELOW)	1	2	3
15	80981 ROD–N/O OFG-32X DRAIN (SN: BN0901009 & ABOVE)	1	2	3
16	SC01-058 SCREWS, COVER & BRACKET RETAINING (6-32 X 1.5 IN.)	2	4	6
17	SC03-005 SCREWS, BRACKET RETAINING	2	4	6
18	66006 DRAIN SWITCH BRKT -GAS (SN: BN0901008 & BELOW)	1	2	3
18	80985 DRAIN SWITCH BRKT -GAS (SN: BN0901009 & ABOVE)	1	2	3
18	60718 DRAIN SWITCH BRACKET (ELECTRIC HEAT)	1	2	3
18	24802 DRAIN SWITCH BRACKET – OFE- 321	1	-	-
□ 19	140039 KIT-24V NAT. GAS VALVE (SN: BN0901008 & BELOW) - 321	1	-	-
□ 19	140040 KIT-24V NAT. GAS VALVE (SN: BN0901008 & BELOW)-322/323	-	2	3
□ 19	80761 24V NATURAL GAS VALVE (SN: BN0901009 & ABOVE)	1	2	2

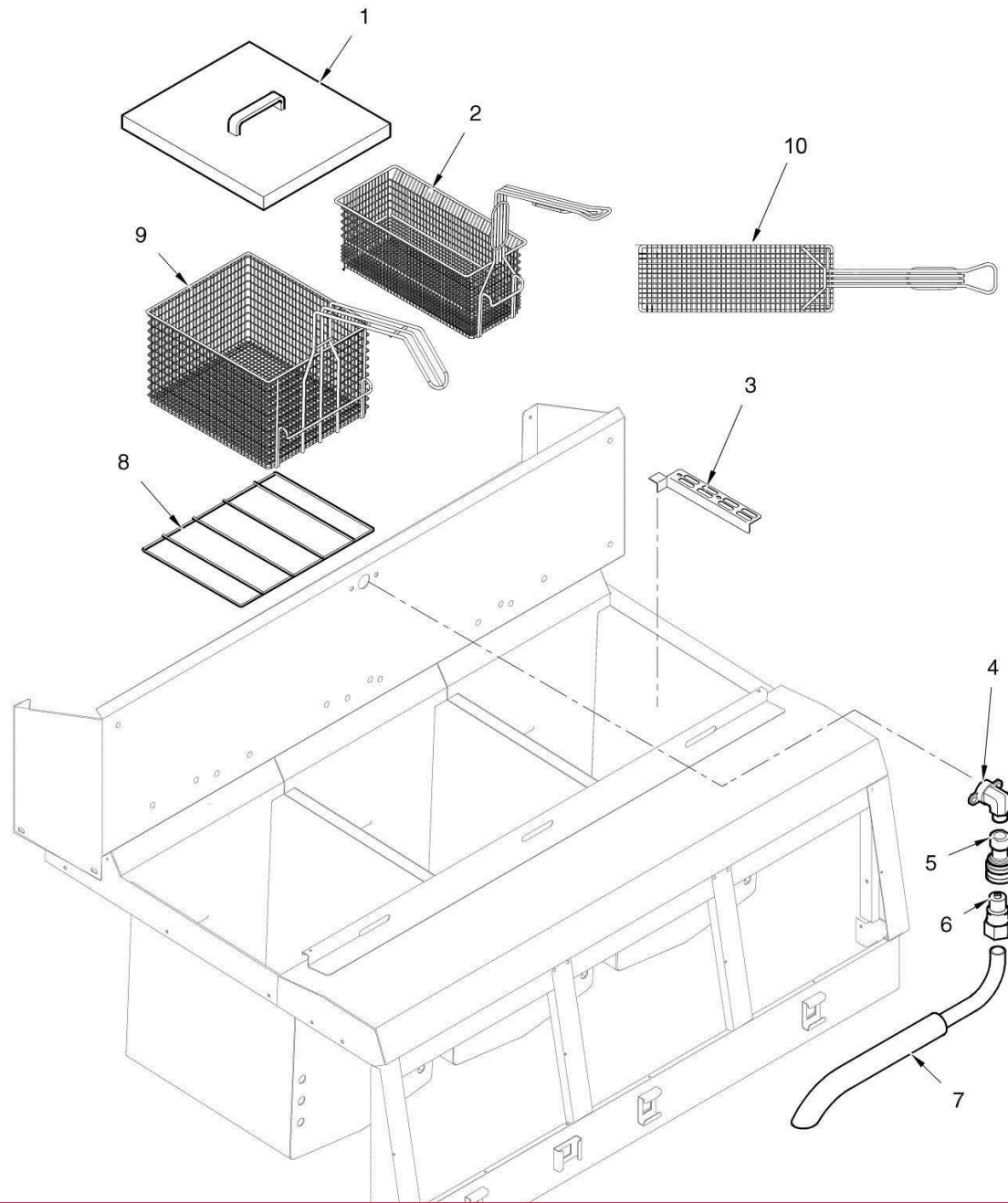
614				3-16
20	71880	LEFT DOOR ASSY. (3 WELL)	-	- 1
20	71875	LEFT DOOR ASSY. (2 WELL)	-	1 -
20	71870	DOOR ASSY. (1 WELL)	1	- -
20A	17618	HINGE – DOOR – TOP	1	1 1
20B	17620	HINGE – DOOR – BOTTOM	1	1 1
21	59565	GM MENU CARD	1	2 3
22	61724	CFA MENU CARD	1	2 3
23	59566	BLANK MENU CARD	1	2 3
23	69227	MENU CARD - POLLO	1	2 3
24	60682	WENDYS MENU CARD	1	2 3
24	14902	KIT – OFX WENDY’S BRKFST MENU STR	1	1 1
24	14997	KIT – 320 WENDY’S MENU STRIPS	1	1 1
□ 25	69289	ASSY – FILTER UNION	1	1 1
26	60202	TUBE – VACUUM SWITCH	1	1 1
27*	18911	FILTER VALVE HANDLE (1 WELL UNITS)	1	- -
28*	14260	OFG NATURAL TO LP CONV. KIT	1	2 3
29*	14261	OFG LP TO NATURAL CONV. KIT	1	2 3
29*	14649	OFG LP TO 13A NATURAL CONV. KIT	1	2 3
30*	17002	DOOR MAGNET	1	2 2
31*	59230	BRKT – MAGNET	1	2 2
32*	SC03-005	SCREWS	2	4 4
33*	65101	SHIELD – OPEN WELL MOTOR SPLASH	1	1 1
34*	140006	KIT- OFG-OFE- MENU CARD & TOOL- WENDY’S	1	1 1
□ recommended parts/*not shown				



**CE Gas Valve Assembly**



PART NO. ITEM NO.	DESCRIPTION	QTY. PER UNIT			
		321	322	323	
GAS VALVE ASSEMBLIES					
1	34802	VALVE – SOLENOID-24V - 50-60 HZ	1	2	3
2	66006	WELD ASSY-GAS VALVE BRKT (SN: BN0901008 & BELOW)	-	2	3
2	80985	WELD ASSY-GAS VALVE BRKT (SN: BN0901009 & ABOVE)	-	2	3
2	66004	WELD ASSY – GAS VALVE BRACKET – OFG-321 (SN: BN0901008 & BELOW)	1	-	-
2	81001	WELD ASSY – GAS VALVE BRACKET – OFG-321 (SN: BN0901009 & ABOVE)	1	-	-
2	66007	WELD ASSY – GAS VALVE BRACKET (CE)	-	2	3
2	66009	WELD ASSY – GAS VALVE BRACKET (CE)–OFG-321	1	-	-
3	17216	ASSY – BRACKET – HIGH LIMIT	1	2	3
3	60520	ASSY – BRACKET – HIGH LIMIT (CE)	1	2	3
4	NS02-001	NUT – HEX KEPS - #10-32 C	2	4	6
5	EF02-106	BUSHING – SNAP – ½ ID PLASTIC	1	2	3
6	FP01-115	CONNECTOR – 3/8 TUBE TO ½ NPT BR	2	4	6
7	FP01-112	½ NPT FEMALE PIPE TEE BI	1	2	3
8	FP02-018	NIPPLE – ½ NPT X 2.00L BI	2	4	6
9	FP01-090	ELBOW – ½ NPT X 90 FEMALE BI	1	2	3
10	FP01-014	ELBOW – 1/8 INCH Z	1	2	3
11	140039	KIT - NAT. GAS VALVE (SN: BN0901008 & BELOW) - 321	1	-	-
11	140040	KIT-NAT GAS VALVE (SN: BN0901008 & BELOW)-322/323	-	2	3
11	80761	24V NAT. GAS VALVE (SN: BN0901009 & ABOVE)	1	2	3
11	60632	24V NATURAL GAS VALVE (CE)	1	2	3
11	140039	KIT-LP GAS VALVE (SN: BN0901008 & BELOW) - 321	1	-	-
11	140040	KIT-LP GAS VALVE (SN: BN0901008 & BELOW) - 322/323	-	2	3
11	80858	24V LP GAS VALVE (SN: BN0901009 & ABOVE)	1	2	3
11	60633	24V LP GAS VALVE (CE)	1	2	3
11	68245( N/A) (USE 60496-002)	HONEYWELL-24V UNREG. GAS VALVE (FRANCE)	1	2	3
12	FP02-020	NIPPLE ½ NPT X 5 LG PIPE SS	1	2	3
13	SC01-175	SCREW - #8-32 X 2.00 PH PHD SS	2	4	6
14	NS02-007	NUT – HEX KEPS - #8-32 C	2	4	6
15	16336	ELBOW – MALE	1	2	3
16	45401	VALVE – ½ INCH GAS BALL	1	2	3
17	FP01-088	ELBOW – STREET ½ X 90 BI	1	2	3
18	FP01-022	½ NPT PIPE NIPPLE – 1-1/2 L	1	2	3
19	FP02-029	NIPPLE-½ NPT X 7 IN. LONG BI (SN: BN0901008 & BELOW)	1	2	3

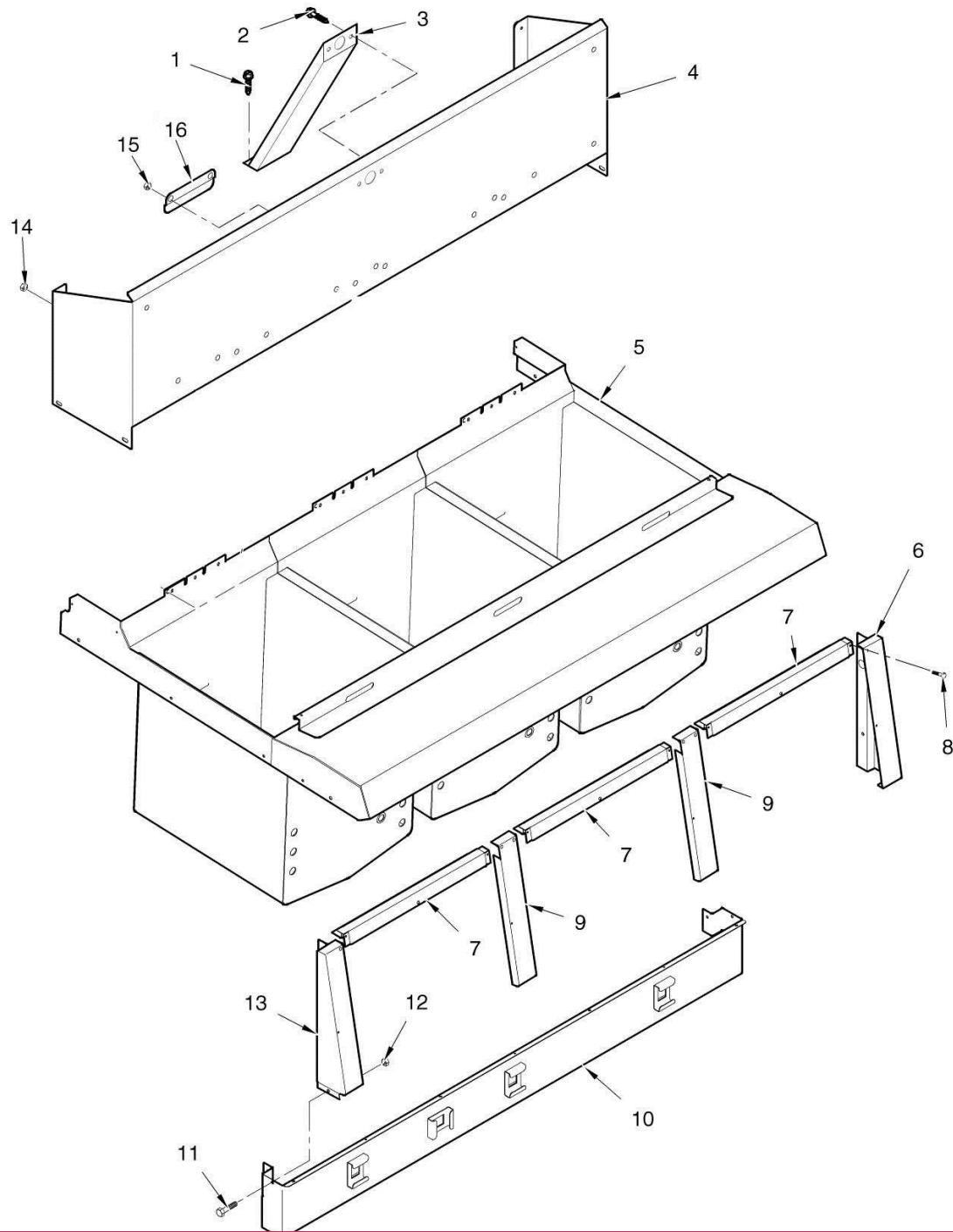




PART NO. ITEM NO.	DESCRIPTION	QTY. PER UNIT		
		321	322	323
	BASKETS AND RETURN FAUCET			
1	03629 FRYPOT COVER	1	2	3
1	03632 WELD ASSY – SPLIT POT COVER	1 PER VAT		
1	26873 FRYPOT COVER (CFA ONLY)	1	2	3
2	65466 HALF SIZE BASKET, COATED-BLACK	2	4	6
2	81814 HALF SIZE BASKET, COATED-RED	2	4	6
2	21033 HALF SIZE BASKET (CFA ONLY)	2	4	6
2	69085 HALF SIZE BASKET – F & R HOOKS	2	4	6
2	72304 BASKET – ½ SIZE REDUCED WEIGHT	2	4	6
2	59078 BASKET – 1/3 SIZE	3	6	9
2	83449 BASKET – 320 - 1/2 SIZE TIERED	2	4	6
3	60367 HIGH LIMIT GUARD	1	2	3
4	FP01-087 ELBOW, MALE, 3/8 IN.	1	1	1
5	17333 FEMALE DISCONNECT	1	1	1
6	17334 MALE DISCONNECT	1	1	1
7	70560 ASSY–11.875 RETURN OIL FAUCET-MALE 322, 323, & 324)	-	1	1
7	80065 ASSY–5.8 RETURN OIL FAUCET-MALE-321-SPLIT	1	-	-
7	78957 ASSY–8.25 DUAL RETURN OIL FAUCET-MALE-323-SPLIT	-	-	2
7	70425 ASSY–RETURN OIL FAUCET-FEMALE 322, 323, & 324)	-	1	1
7*	60611 ASSY. - RETURN LINE-UPPER - WITH 17334 (321, SN: BN022JB & BELOW)	1	-	-
8	60120 OFG FRY BASKET SUPPORT	1	2	3
8	77538 GRID - BASKET SUPPORT (RALEY'S)	-	2	-
8	78293 RACK – 32X SPLIT VAT	1 PER VAT		
9	33824 FULL SIZE FRY BASKET	1	2	3
10	32939 BASKET – WEIGHT SCREEN	2	4	6
11*	50715 3/8 X 1 1/8 IN. NIPPLE	1	1	1
12*	82321 DUMP STATION, CENTER WELL BASKET INSERT	-	-	1
13*	48629 DRIP SHIELD, FRYER/DUMP TABLE	1	1	1

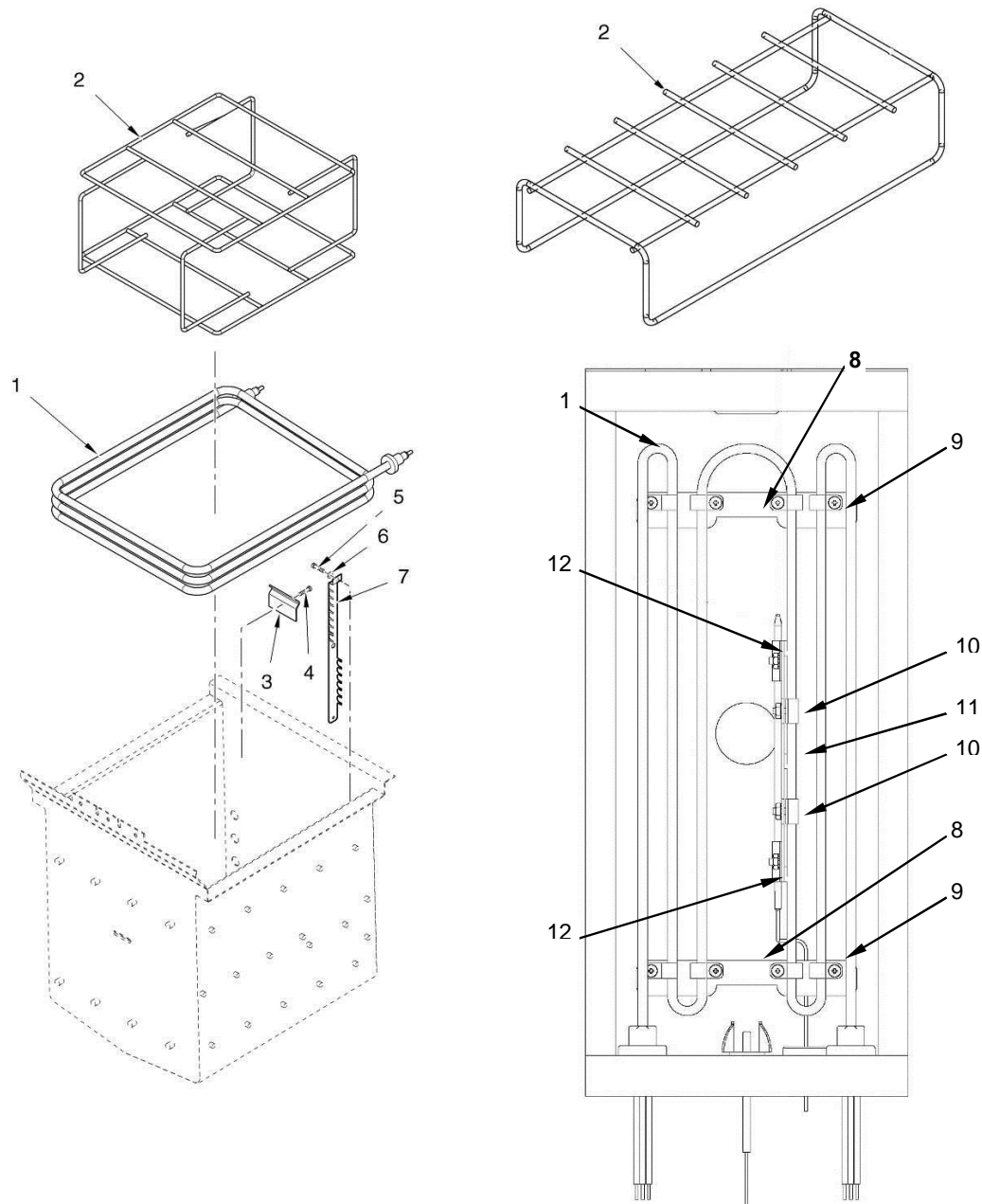
\* not shown





PART NO. ITEM NO.	DESCRIPTION	QTY. PER UNIT		
		321	322	323

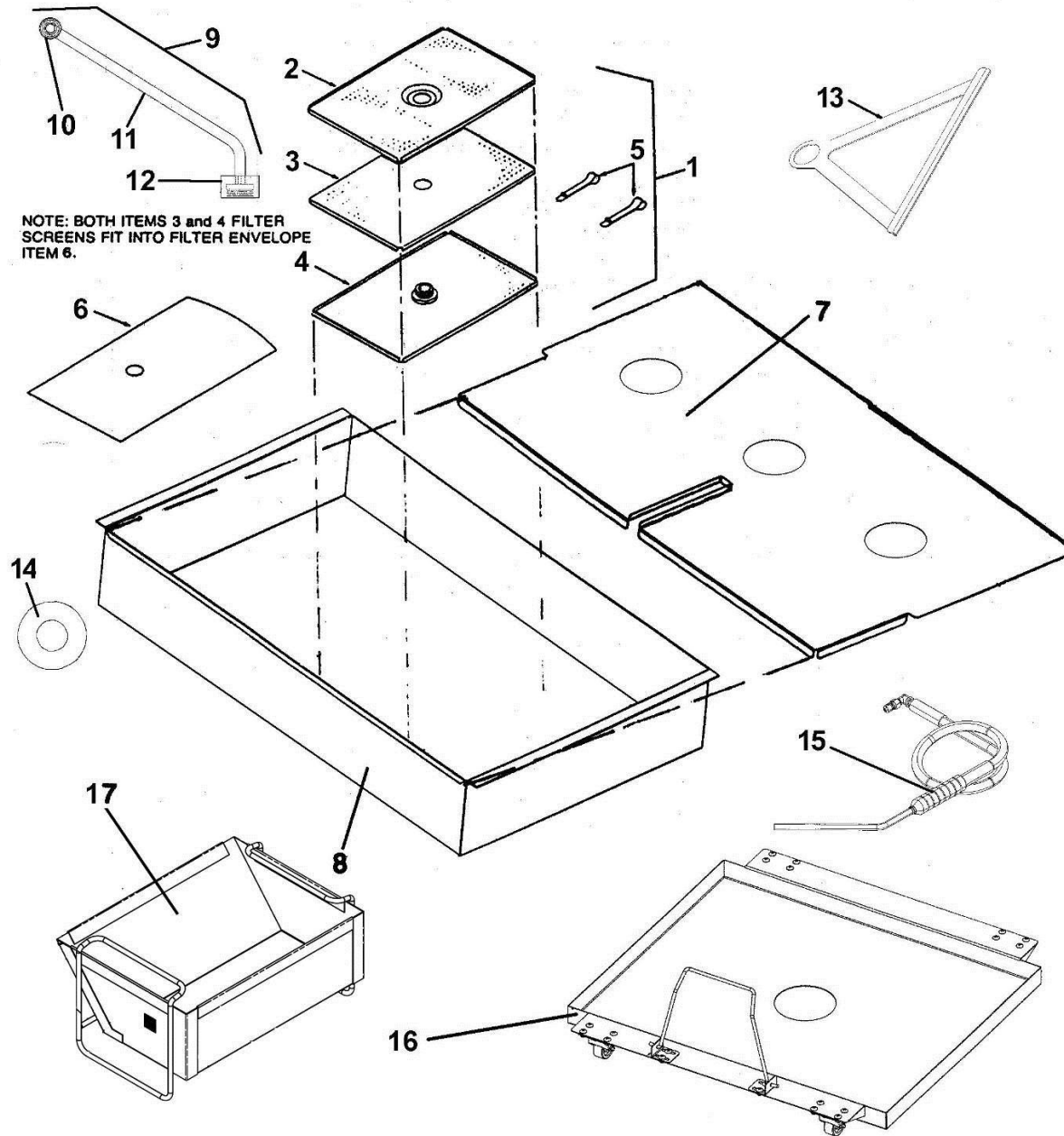
		SHROUDS AND POT & COUNTER TOP			
1	SC03-005	SCREW, BRACKET RETAINING, BOTTOM	2	2	2
2	SC01-034	SCREW, BRACKET RETAINING, TOP	2	2	2
3	60340	BRACKET, REAR SHROUD	1	2	2
4	23808	REAR SHROUD ASSY.-321 (SN: BN022JB & BELOW)	1	-	-
4	23808	REAR SHROUD ASSY.- FULL VAT - 321 (SN: BN023JB & ABOVE)	1	-	-
4	78811	REAR SHROUD ASSY. - SPLIT VAT - 321	1	-	-
4	78430-001	REAR SHROUD ASSY. - SS - 322	-	1	-
4	78430-002	REAR SHROUD ASSY. - SF - 322	-	1	-
4	78430-003	REAR SHROUD ASSY. - FS - 322	-	1	-
4	78430-004	REAR SHROUD ASSY. - FF - 322	-	1	-
4	78742-001	REAR SHROUD ASSY. - SSS - 323	-	-	1
4	78742-002	REAR SHROUD ASSY. - SSF - 323	-	-	1
4	78742-003	REAR SHROUD ASSY. - SFS - 323	-	-	1
4	78742-004	REAR SHROUD ASSY. - SFF - 323	-	-	1
4	78742-005	REAR SHROUD ASSY. - FSS - 323	-	-	1
4	78742-006	REAR SHROUD ASSY. - FSF - 323	-	-	1
4	78742-007	REAR SHROUD ASSY. - FFS - 323	-	-	1
4	78742-008	REAR SHROUD ASSY. - FFF - 323	-	-	1
5	24797	POT & COUNTERTOP ASSY. (OFE-321)	1	-	-
5	64422	POT & COUNTERTOP ASSY. (OFE-322)	-	1	-
5	64423	POT & COUNTERTOP ASSY. (OFE-323)	-	-	1
6	60322	SHROUD CONTROL VERTICAL RH	1	1	1
7	60328	SHROUD CONTROL UPPER MIDDLE	-	2	3
8	SC04-003	SCREW	4	9	10
9	60326	SHROUD CONTROL DIVIDER	-	1	2
10	71938	BOTTOM SWITCH GUARD	1	-	-
10	69634	BOTTOM SWITCH GUARD	-	1	-
10	72109	BOTTOM SWITCH GUARD	-	-	1
10	76339	BOTTOM SWITCH GUARD - 322 - SPLIT	-	1	-
10	78270	BOTTOM SWITCH GUARD - 323 - SPLIT	-	-	1
11	SC01-034	SCREW	2	2	2
12	NS02-007	NUT	2	2	2
13	60324	SHROUD CONTROL VERTICAL LH	1	1	1
14	NS02-006	NUT, SHROUD RETAINING	4	6	8
15	NS02-006	NUT, RETAINER SECURING	-	2	-
16	33261	REAR SHROUD RETAINER	-	1	-
17*	14778	KIT - FLAT CTOP JOINING	1	1	1



**Electric Heater**

PART NO. ITEM NO.	DESCRIPTION	QTY. PER UNIT		
		321	322	323
	ELECTRIC HEATER			
<input type="checkbox"/> 1	60744-3 HEATER – 230V 4800W	3	6	9
<input type="checkbox"/> 1	60744-4 HEATER – 208V 4800W	3	6	9
<input type="checkbox"/> 1	30292-2 HEATER – 208V 7333W	3	6	9
<input type="checkbox"/> 1	60744-5 HEATER – 480V 4800W	3	6	9
<input type="checkbox"/> 1	30292-1 HEATER – 480V 7333W	3	6	9
<input type="checkbox"/> 1	71593-1 HEATER – 208V 7000W – SPLIT	1 PER VAT		
<input type="checkbox"/> 1	71593-2 HEATER – 240V 7000W – SPLIT	1 PER VAT		
<input type="checkbox"/> 1	71593-3 HEATER – 230V 7000W – SPLIT	1 PER VAT		
<input type="checkbox"/> 1	71593-4 HEATER – 220-240V 7000W – SPLIT	1 PER VAT		
2	60747 OFE FRY BASKET SUPPORT	1	2	3
2	78293 RACK – 32X SPLIT VAT	1 PER VAT		
2	26917 FRY BASKET SUPPORT (CFA ONLY)	1	2	3
	67652 HIGH LIMIT BRACKET	1	2	3
3	40315 --HI LIMIT REAR CLAMP	1	2	3
3	40317 --HI LIMIT FRONT CLAMP	1	2	3
4	SC01-053 --CLAMP SCREW (#8-32 X 1/2 IN.)	1	2	3
5	SC01-055 SPREADER SCREW (#10-32 X 3/4 IN.)	10	20	30
6	LW02-005 LOCKWASHER, #10 INTERNAL	10	20	30
7	51931 SPREADER BAR ASSY.	5	10	15
8	78687 SPREADER – 32X SPLIT VAT ELEMENT	2 PER ELEMENT		
9	21978 STRAP – SPREADER - SPLIT	8 PER ELEMENT		
10	78868 STUD ASSY – HIGH LIMIT BRKT - SPLIT	2 PER ELEMENT		
11	78850 WELD ASSY–HIGH LIMIT BRKT BASE-SPLIT	1 PER ELEMENT		
12	72674 BRACKET – HIGH LIMIT - SPLIT	2 PER ELEMENT		

recommended parts



Drain Pan, Screen, and Cover

PART NO. ITEM NO.	DESCRIPTION	QTY. PER UNIT		
		321	322	323
	DRAIN PAN, SCREEN, & COVER			
1	17510(USE 14671) SCREEN ASSY., FILTER	1	1	1
2	65211 . CRUMB CATCHER – SS (Excludes 1-well cap. Drain pans)	1	1	1
3	17502(USE 14671) . TOP FILTER SCREEN	1	1	1
4	17503(USE 14671) . BOTTOM FILTER SCREEN (OFE-BELOW SN: BA0502001) (OFG-BELOW SN: BN0502001)	1	1	1
4	65447 . BOTTOM FILTER SCREEN–SS(OFE-SN:BA0502001 & ABOVE)1 (OFG-SN:BN0502001 & ABOVE)	1	1	1
4	14672 KIT –WENDY’S SS FILTER SCREEN (INCLUDES 4, 12 & 13)1	1	1	1
4	14878 KIT –WENDY’S FRYER FILTER SCREEN & NUT (INCLUDES 4 &12)	1	1	1
5	17505 . FILTER ENVELOPE CLIPS	2	2	2
<input type="checkbox"/> 6	12102 FILTER ENVELOPE PAPER (100 PER CARTON)	1	1	1
7	DRAIN PAN COVER – SEE CHART ON NEXT PAGE			
8	DRAIN PAN – SEE CHART ON NEXT PAGE			
9	KIT-OFX32X PICK UP TUBE– SEE CHART ON PAGE 3-26	1	1	1
10	69289 . UNION, FEMALE FITTING	1	1	1
11	. STANDPIPE TUBE– SEE CHART ON PAGE 3-26			
12	65208 . NUT, FILTER	1	1	1
13	63102 SEALER BAR FOR FILTER SCREENS(WENDY’S 322 & 323)	-	1	1
13	14783 KIT – 500 GM SEALER BAR (SN:BN0502001 & ABOVE)	1	1	1
13	14909 KIT – GM 2-PIECE FILTER SEALER (SN:BN0502000 & BELOW)	1	1	1
14	36305 WASHER – STANDPIPE (WENDY’S 321)	1	-	-
15	33494 RINSE HOSE ASSY. - 90° MALE FITTING	1	1	1
15	81919 RINSE HOSE ASSY. - 90° FEMALE FITTING	1	1	1
15	03003 RINSE HOSE ASSY. –FEMALE FITTING	1	1	1
16	ASSESSORY-DRAIN PAN DOLLY –SEE CHART ON PAGE 3-26			
17	03622 BASKET – FINE MESH CRUMB (ZAXBY’S)	1	-	-

recommended parts

<b>321 Drain Pans</b>			
	<b>21088</b>	<b>70344</b>	<b>81120</b>
OFG-321-SN:	BN0604042 & Below	BN0604043 to 10/6/08	10/7/08 & After
OFE-321-SN:	BA0604016 & Below	BA0604017 to BA0810007	BA0810008 & Above

<b>322 Drain Pans</b>			
<b>Full/Split Vat (2-well cap.)</b>	<b>66522</b>	<b>70345</b>	
OFG-322-SN:	BN0604031 & Below	BN0604032 & Above	
OFE-322-SN:	BA0604017 & Below	BA0604018 & Above	
<b>Full/Split-1-Well Capacity (OFE)</b>	<b>70344</b>	<b>81120</b>	
OFE-322-SN:	BA0810007 & Below	BA0810008 & Above	
<b>Full/Split-1-Well Capacity (OFG)</b>	<b>79306</b>		
OFG-322	8/1/08 & After		

<b>323 Drain Pans</b>			
<b>Full/Split Vat (3-well cap.)</b>	<b>66523</b>	<b>70346</b>	
OFG-323-SN:	BN0604017 & Below	BN0604018 & Above	
OFE-323-SN:	BA0604024 & Below	BA0604025 & Above	
<b>Full/Split-1-Well Capacity (OFE)</b>	<b>70344</b>	<b>81120</b>	
OFE-323-SN:	BA0810007 & Below	BA0810008 & Above	
<b>Full/Split-1-Well Capacity (OFG)</b>	<b>79306</b>		
OFG-323	8/1/08 & After		

<b>321 Drain Pan Covers</b>			
<b>Full Vat</b>	<b>21064</b>	<b>71597</b>	<b>81123</b>
OFG-321-SN:	BN0604042 & Below	BN0604043 to 10/6/08	10/7/2008 & After
OFE-321-SN:	BA0604016 & Below	BA0604017 to BA0810007	BA0810008 & Above
<b>Split Vat</b>	<b>78382</b>	<b>81214</b>	
OFE-321-SN:	BA0810007 & Below	BA0810008 & Above	

<b>322 Drain Pan Covers</b>			
<b>Full Vat-2-well Capacity</b>	<b>60460</b>	<b>24596</b>	<b>71599</b>
OFG-322-SN:	GN045JB & Below	GN046JB to BN0604031	BN0604032 & Above
OFE-322-SN:	GM024JB & Below	GM025JB to BA0604017	BA0604018 & Above
<b>Split-2-well Capacity (OFE)</b>	<b>78208</b>		
	3/17/08 & After		
<b>Full/Split-1-Well Capacity (OFE)</b>	<b>76741</b>	<b>81201</b>	
OFE-322-SN:	BA0810009 & Below	BA08100010 & Above	
<b>Full-1-Well Capacity (OFG)</b>	<b>80016</b>		
	8/1/08 & After		

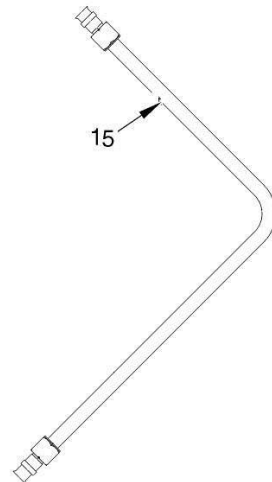
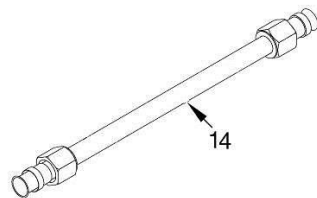
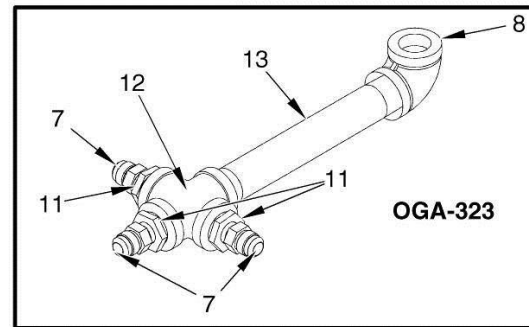
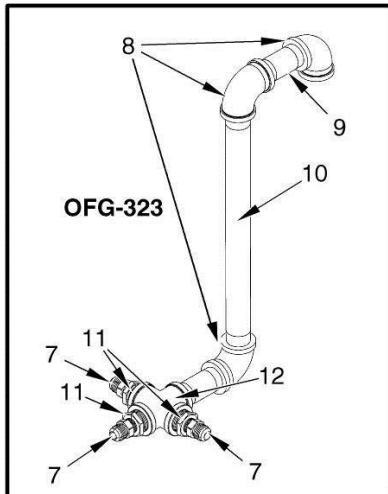
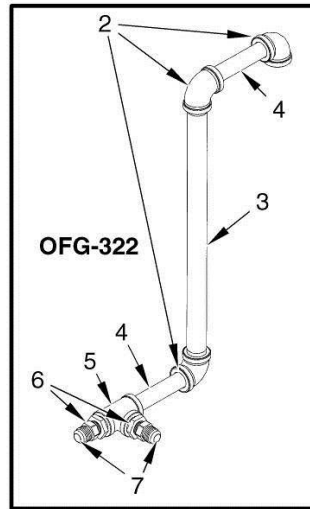
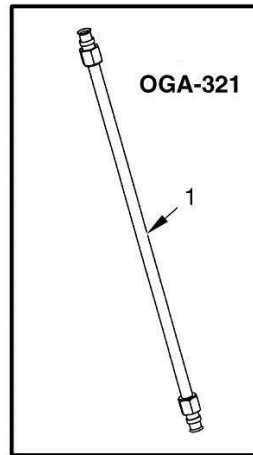
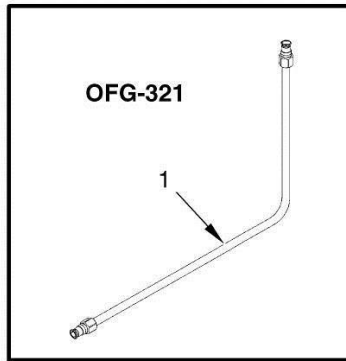
<b>323 Drain Pan Covers</b>			
<b>Full Vat (3-well cap.)</b>	<b>60281</b>	<b>24597</b>	<b>71601</b>
OFG-323-SN:	GN045JB & Below	GN046JB to BN0604017	BN0604018 & Above
OFE-323-SN:	GM024JB & Below	GM025JB to BA0604024	BA0604025 & Above
<b>Split-3-well cap. - (OFE)</b>	<b>78210</b>		
	3/17/08 & After		



**Standpipes & Filter Pan Dolly**

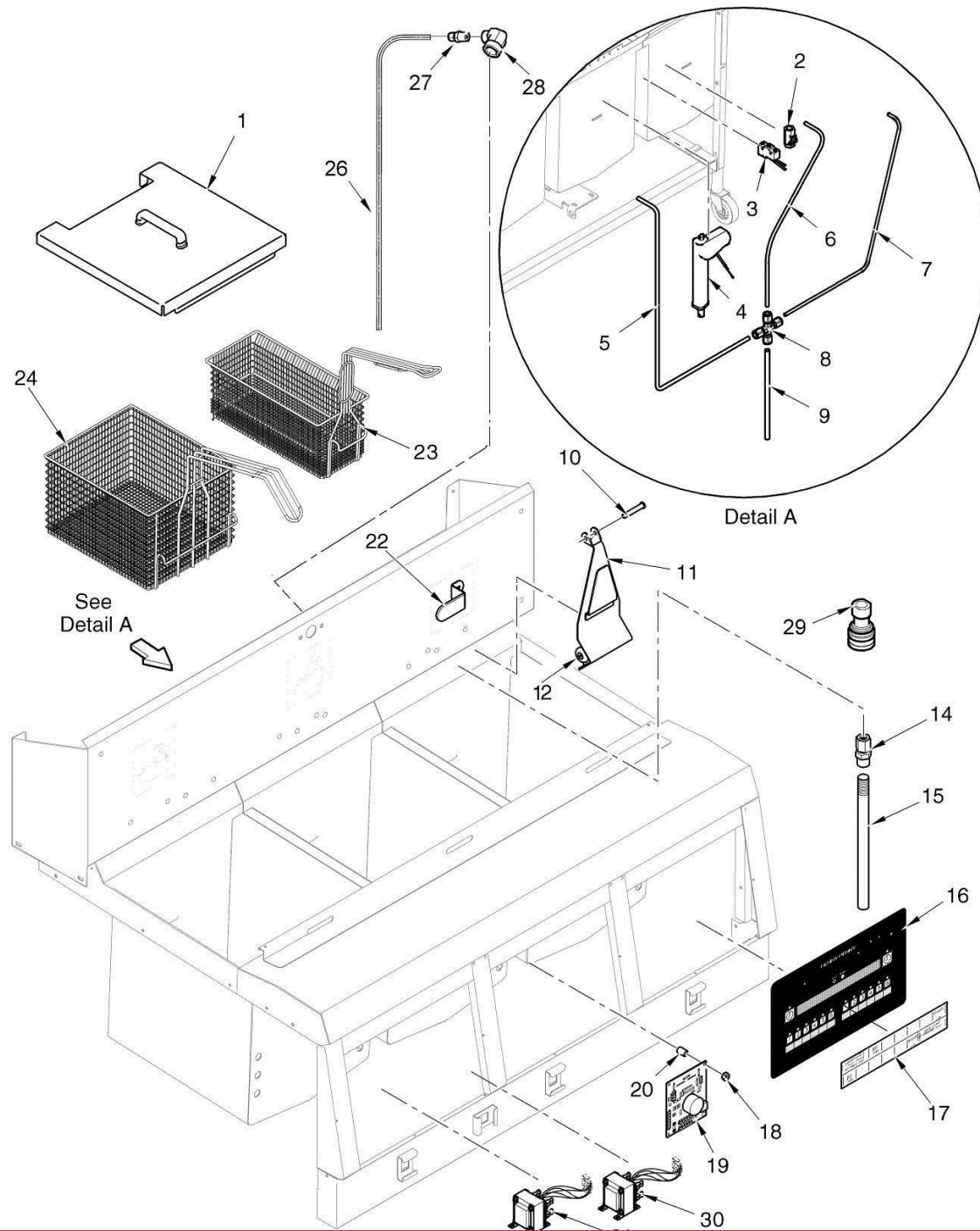
<b>Item #9-Kit Pick-Up Tube</b>	<b>14654</b>	<b>N/A</b>	<b>14654</b>	<b>N/A</b>
<b>Item #11-Standpipe Tube</b>	<b>60377</b>	<b>70360</b>	<b>60377</b>	<b>70360</b>
<b>Item #16-Filter Pan Dolly</b>	<b>03495</b>	<b>03548</b>	<b>03496</b>	<b>03549</b>
OFG-321 - SN:	BN0604042 & Below	BN0604043 & Above	-	-
OGA-321 - SN:	Below SN: BP0604001	BP0604001 & Above	-	-
OFE-321 - SN:	BA0604016 & Below	BA0604017 & Above	-	-
OEA-321 - SN:	BB0604003 & Below	BB0604004 & Above	-	-
OFG-322 - SN:	-	-	BN0604031 & Below	BN0604032 & Above
OGA-322- SN:	-	-	BP0605005 & Below	BP0605006 & Above
OFE-322 - SN:	-	BA0810008 & Above	BA0604017 & Below	BA0604018 & Above
OEA-322 - SN:	-	BA0810008 & Above	N/A	N/A
OFG-323 - SN:	-	-	-	-
OGA-323 - SN:	-	-	-	-
OFE-323 - SN:	-	BA0810008 & Above	-	-
OEA-323 - SN:	-	BA0810008 & Above	-	-

<b>Item #9-Kit Pick-Up Tube</b>	<b>14654</b>	<b>N/A</b>	<b>N/A</b>	
<b>Item #11-Standpipe Tube</b>	<b>60377</b>	<b>70360</b>	<b>70360</b>	
<b>Item #16-Filter Pan Dolly</b>	<b>03497</b>	<b>03550</b>	<b>03574 (1-well cap-Gas)</b>	
OFG-321 - SN:	-	-		
OGA-321 - SN:	-	-		
OFE-321 - SN:	-	-		
OEA-321 - SN:	-	-		
OFG-322 - SN:	-	-	8/1/08 & After	
OGA-322- SN:	-	-	8/1/08 & After	
OFE-322 - SN:	-	-		
OEA-322 - SN:	-	-		
OFG-323 - SN:	BN0604017 & Below	BN0604018 & Above	8/1/08 & After	
OGA-323 - SN:	BP0605006 & Below	BP0605007 & Above	8/1/08 & After	
OFE-323 - SN:	BA0604024 & Below	BA0604025 & Above		
OEA-323 - SN:	N/A	N/A		

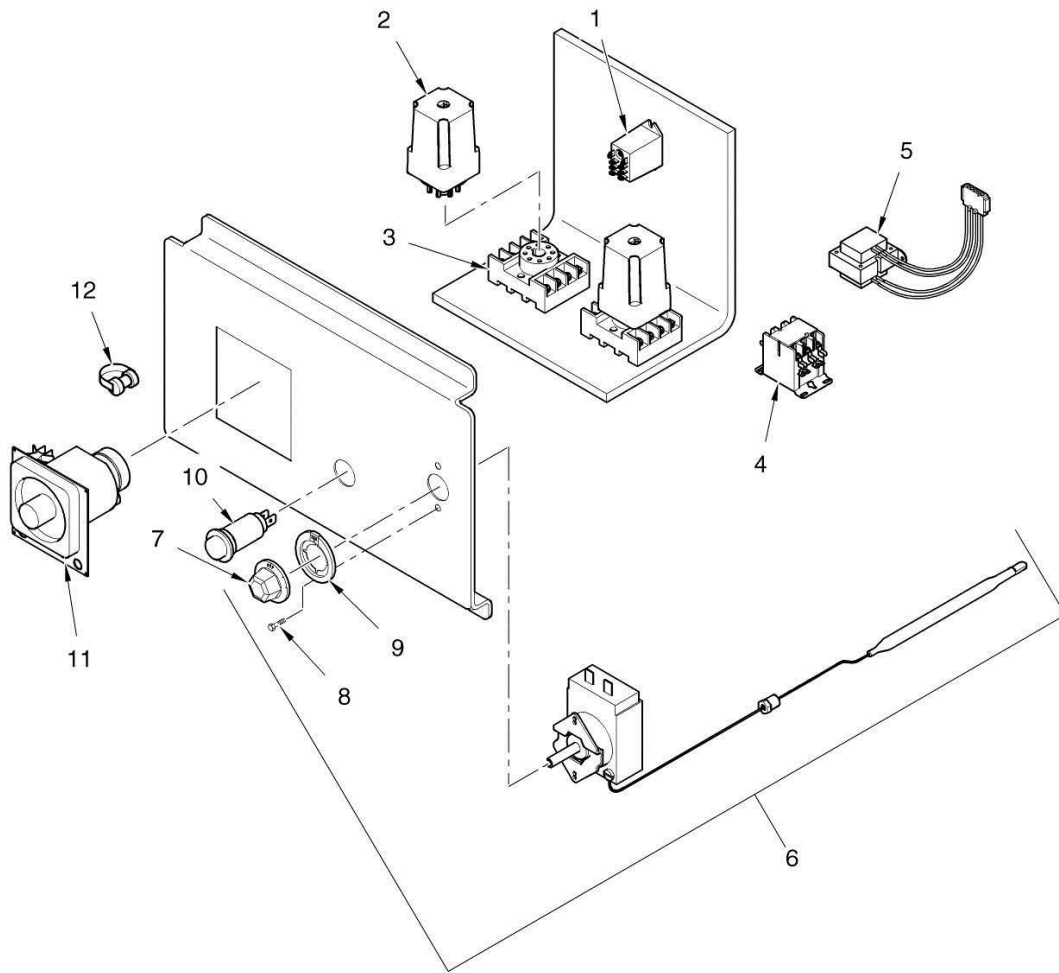


PART NO. ITEM NO.	DESCRIPTION	QTY. PER UNIT		
		321	322	323
	MAIN GAS LINES			
1	60621 MAIN GAS LINE ASSY.	1	-	-
1	24772 MAIN GAS LINE ASSY.	1	-	-
2	FP01-098 ELBOW (3/4 NPT X 90 FEMALE BI)	-	3	-
3	FP02-056 NIPPLE (3/4 NPT X 17 IN. LG. BI)	-	1	-
4	FP02-022 NIPPLE (3/4 NPT X 4 IN. LG. BI)	-	2	-
5	FP01-097 TEE (3/4 NPT FEMALE PIP BI)	-	1	-
6	FP01-089 BUSHING, REDUCING (3/4M TO 1/2F BI)	-	2	-
7	16335 MALE CONNECTOR, 37 FLARE	-	2	3
8	FP01-093 ELBOW (1 IN. NPT X 90 FEMALE BI)	-	-	3 OR 1
9	FP01-094 NIPPLE (1 IN. NPT X 3 1/2 LG. BI)	-	-	2
10	FP02-031 NIPPLE (1 IN. NPT X 16 IN LG. BI)	-	-	1
10	FP02-061 NIPPLE (1 IN. NPT X 18 IN LG. BI) - CE	-	-	1
11	FP01-085 BUSHING, REDUCING (1M TO 1/2F BI)	-	-	3
12	FP01-092 CROSS TEE (1 IN. NPT FEMALE BI)	-	-	1
13	FP02-034 NIPPLE (1 IN. NPT X 9 IN. LG. BI)	-	-	1
14	45621 ASSY – MIDDLE GAS LINE	-	1	1
15	33325 ASSY – RIGHT GAS LINE – 3 WELL	-	-	2
15	33490 ASSY – RIGHT GAS LINE – 2 WELL	-	1	-
16*	FP01-200 FITTING – GAS INLET BSPT	1	1	1

\* not shown

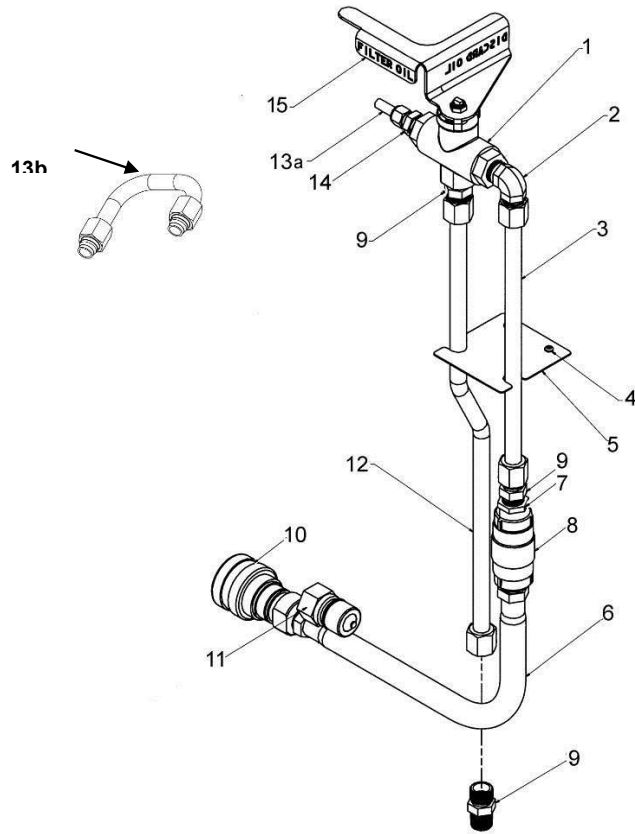


PART NO. ITEM NO.	DESCRIPTION	QTY. PER UNIT		
		321	322	323
	AUTOLIFT FEATURE			
1	50814	1	2	3
2	50750	1	1	1
<input type="checkbox"/> 3	50764	1	2	3
<input type="checkbox"/> 4	50716	2	4	6
<input type="checkbox"/> 4	63602	2	4	6
<input type="checkbox"/> 4	80091	2	4	6
5	50784	-	-	1
6	50780	-	1	-
6	50783	-	-	1
7	50779	-	1	-
7	50782	-	-	1
8	FP01-129	-	1	-
8	FP01-130	-	-	1
9	50778	-	1	-
9	50781	-	-	1
10	50776	2	4	6
11	50719	2	4	6
11	50865	2	4	6
12	31421	4	8	12
13	NS03-023*	4	8	12
14	FP01-128	-	1	1
15	50785	-	1	1
15	60611	1	1	2
<input type="checkbox"/> 16	60796RB	1	2	3
17	61562	2	4	6
18	NS02-005	4	8	12
19	50290	1	2	3
20	ME50-024	4	8	12
<input type="checkbox"/> 21	31159	1	2	3
<input type="checkbox"/> 21	31160	1	2	3
<input type="checkbox"/> 21	30614	1	2	3
22	59721	-	2	3
23	50704	2	4	6
24	50703	1	2	3
25*	50786	-	1	1
26	60293	1	-	-
27	FP01-082	1	-	-
28	FP01-087	1	1	1
29	17333	1	1	1
30	TS22-012	1	2	3
31*	50765	1	2	3



ITEM NO.	PART NO.	DESCRIPTION	QTY. PER UNIT		
			321	322	323
ELECTRO-MECANICAL CONTROLS					
<input type="checkbox"/> 1	60818	AC COIL RELAY (24V)	1	2	3
<input type="checkbox"/> 2	60817	ADJUSTABLE TIME DELAY RELAY	2	4	6
<input type="checkbox"/> 3	60816	ADJUSTABLE TIME DELAY RELAY BASE	2	4	6
<input type="checkbox"/> 4	65098	HEAT CONTACTOR (ELEC. ONLY) (CE)	2	4	6
<input type="checkbox"/> 4	29509	24V PRIMARY CONTACTOR (NON-CE)	1	2	3
<input type="checkbox"/> 4	29510	HEAT CONTACTOR-MERCURY (NON-CE)	1	2	3
<input type="checkbox"/> 5	35916	TRANSFORMER (120V TO 24V) (GAS)	1	2	3
<input type="checkbox"/> 5	60536	TRANSFORMER (24V/230V) (ELECTRIC)	1	2	3
<input type="checkbox"/> 6	14851	THERMOSTAT KIT	1	2	3
	7	16706 . KNOB	1	2	3
	8	16704 . BEZEL	1	2	3
	9	SC01-023 . SCREW	2	4	6
<input type="checkbox"/> 10	60792	INDICATOR LIGHT (24V)	1	2	3
<input type="checkbox"/> 11	60765	DUAL FACE TIMER	1	2	3
<input type="checkbox"/> 12	65567	TIMER BUZZER ASSY.	1	2	3
<input type="checkbox"/> 13*	60785	DECAL – E/M – CONTROL	1	2	3

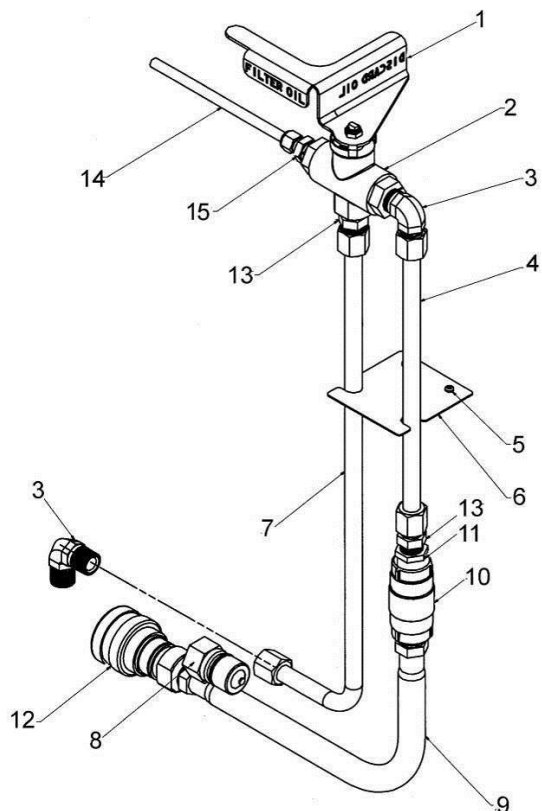
recommended parts



**OFX-323 Optional Direct-Connect Parts**

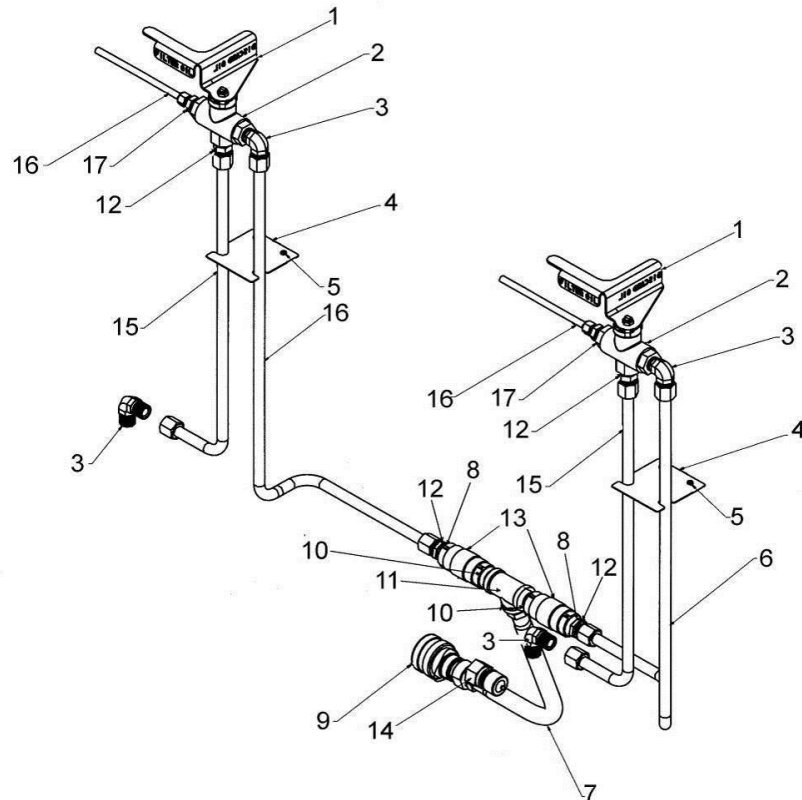
ITEM NO.	PART NO.	DESCRIPTION	QTY. PER UNIT
	14857	KIT – DIRECT-CONNECT OFX-323 (12/1/06 & AFTER)	1
	14368	KIT – DIRECT-CONNECT OFX-323 (BEFORE 12/1/06)	1
1	21613	VALVE - DIVERTER	1
2	17407	CONNECTOR – ½ MALE ELBOW	1
3	24692	ASSY. – D.C. OFX-32X DISCARD TUBE	1
4	SC03-005	SCREW – SD #8 X ½ PH PHD	2
5	21509	BRACKET - TUBE	1
6	24695	ASSY. – D.C. OFX-323 & 322 HOSE	1
6	21753	. HOSE – SHORTENING DISCARD	1
7	FP01-089	. BUSHING-REDUCING 3/4M TO 1/2F BL	1
8	21800	. VALVE – ¾ CHECK	1
9	16807	. FITTING – CONNECTOR – MALE	3
10	21612	. DISCONNECT – FEMALE	1
11	21611	DISCONNECT – MALE	1
12	24922	ASSY. – D.C. OFX-323 FILTER TUBE	1





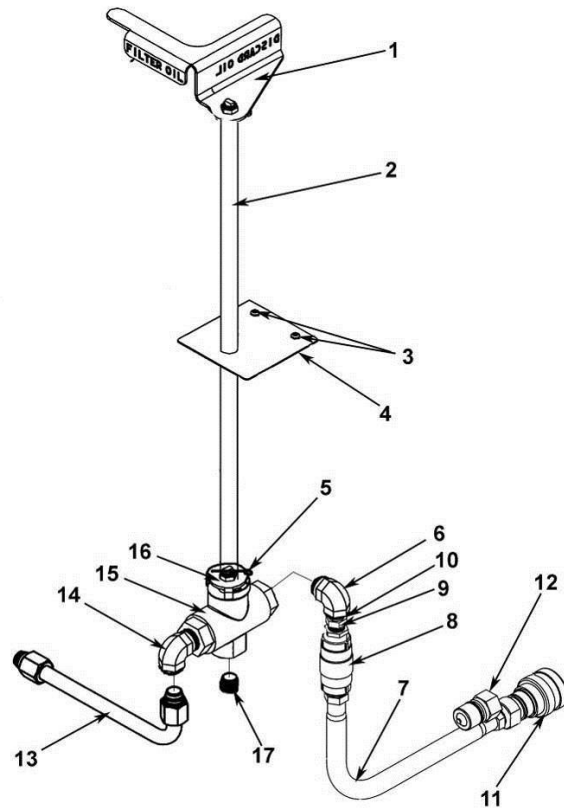
**OFX-322 Optional Direct-Connect Parts**

ITEM NO.	PART NO.	DESCRIPTION	QTY. PER UNIT
	14858	KIT - DIRECT-CONNECT OFX-322 (12/1/06 & AFTER)	1
	14367	KIT - DIRECT-CONNECT OFX-322 (BEFORE 12/1/06)	1
1	21439	HANDLE - DIVERTER VALVE	1
2	21613	VALVE - DIVERTER	1
3	17407	CONNECTOR - 1/2 MALE ELBOW	2
4	24692	ASSY. - D.C. OFX-32X DISCARD TUBE	1
5	SC03-005	SCREW - SD #8 X 1/2 PH PHD	2
6	21509	BRACKET - TUBE	1
7	24691	ASSY. - D.C. OFX-322 & 324 FILTER TUBE	1
8	21611	DISCONNECT - MALE	1
9	24695	ASSY. - D.C. OFX-323 & 322 HOSE	1
9	21753	. HOSE - SHORTENING DISCARD	1
10	21800	. VALVE - 3/4 CHECK	1
11	FP01-089	. BUSHING-REDUCING 3/4M TO 1/2F BL	1
12	21612	. DISCONNECT - FEMALE	1
12	16807	FITTING - CONNECTOR - MALE	2



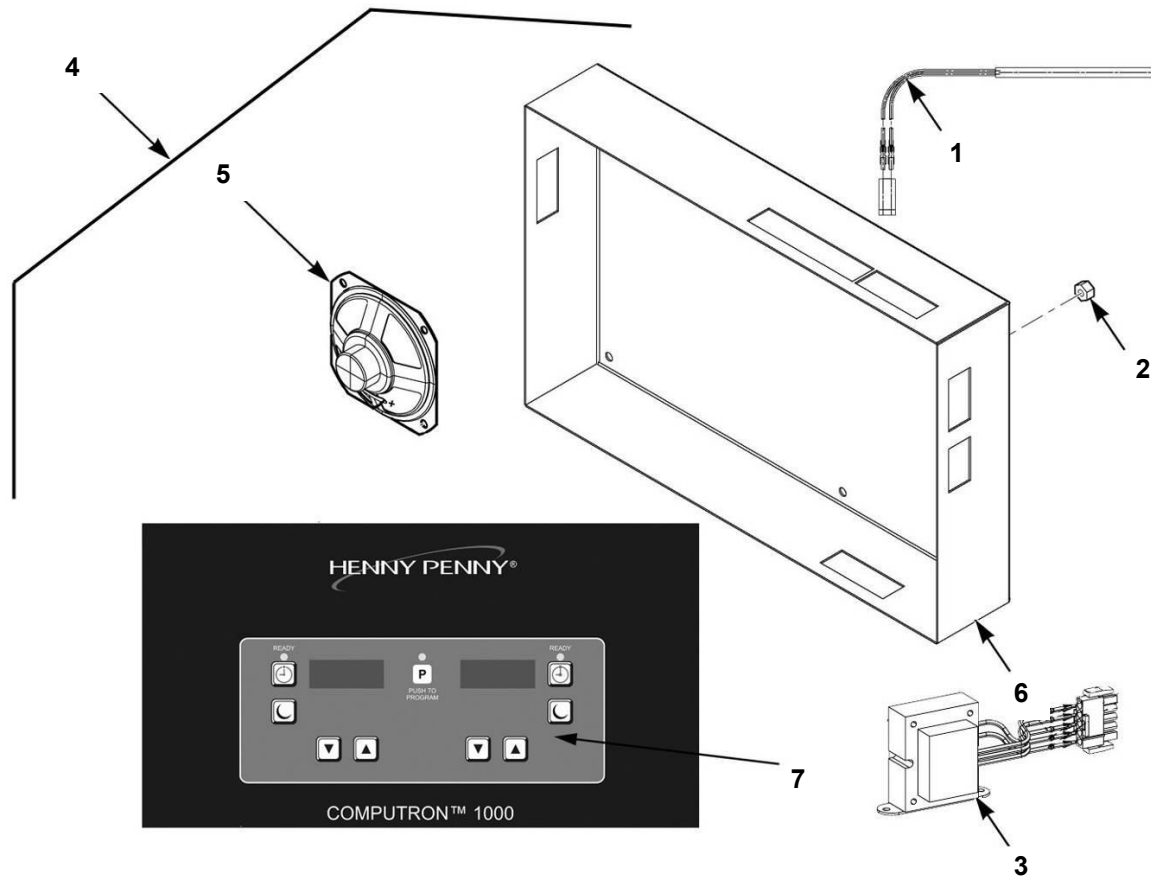
**OFX-324 Optional Direct Connect Parts**

ITEM NO.	PART NO.	DESCRIPTION	QTY. PER UNIT
	14859	KIT – DIRECT-CONNECT OFX-324 (12/1/06 & AFTER)	1
	14364	KIT – DIRECT-CONNECT OFX-324 (BEFORE 12/1/06)	1
1	21439	HANDLE – DIVERTER VALVE	2
2	21613	VALVE - DIVERTER	2
3	17407	CONNECTOR – ½ MALE ELBOW	4
4	21509	BRACKET - TUBE	2
5	SC03-005	SCREW – SD #8 X ½ PH PHD	4
6	24713	ASSY. – D.C. OFX-324 DISCARD – LH TUBE	1
6	24714	ASSY. – D.C. OFX-324 DISCARD – RH TUBE	1
7	24715	ASSY. – D.C. OFX-324 HOSE	1
7	21753	. HOSE – SHORTENING DISCARD	1
8	FP01-089	. BUSHING-REDUCING 3/4M TO 1/2F BI	2
9	21612	. DISCONNECT – FEMALE	1
10	16282	. NIPPLE – ¾ X CLOSE	2
11	FP01-097	. TEE-3/4 NPT FEMALE PIPE BI	1
12	16807	. FITTING – CONNECTOR – MALE	4
13	21800	. VALVE – ¾ CHECK	2
14	21611	DISCONNECT – MALE	1



**OFX-321 Optional Direct Connect Parts**

ITEM NO.	PART NO.	DESCRIPTION	QTY. PER UNIT
	14625	KIT – DIRECT-CONNECT – OFX-321	1
1	21439	HANDLE – DIVERTER VALVE	1
2	67493	ROD – D/C EXTENSION	1
3	SC03-005	SCREW – SD #8 X ½ PH PHD	2
4	67671	BRACKET – EXTENSION ROD	1
5	PN01-001	PIN – COTTER – 3/32 X 1-1/4 S	1
6	FP01-088	ELBOW – STREET – ½ X 90 BL IRON	1
7	67662	ASSY. – DIRECT-CONNECT HOSE - 321	1
7	21753	. HOSE – SHORTENING DISCARD	1
8	21800	. VALVE – ¾ CHECK	1
9	FP01-089	. BUSHING-REDUCING 3/4M TO 1/2F BI	1
10	FP01-023	. NIPPLE – 1/2 INCH CLOSE BLACK	1
11	21612	. DISCONNECT – FEMALE	1
12	21611	DISCONNECT – MALE	1
13	67672	ASSY – TUBE POT TO PUMP – OFG-321	1
13	67674	ASSY – TUBE POT TO PUMP – OFE-321	1
14	17487	CONNECTOR – ¼ MALE ELBOW	1



**Computron 1000 Parts**

PART NO. ITEM NO.	DESCRIPTION	QTY. PER CONTROL
	COMPUTRON 1000 CONTROL PANEL	
	14939 KIT-OFG32X E/M TO C1000 RETROFIT	1
	14940 KIT-OFE32X E/M TO C1000 RETROFIT	1
	140072 KIT-OFE32X C1000 TO C8000 FULL	1
	140073 KIT-OFE30X C1000 TO C8000 SPLIT	1
	140074 KIT-OFG32X C1000 TO C8000 FULL	1
□□ 1	14990 KIT - C1000 FULL PROBE	1
□ 1	14991 KIT - C1000 SPLIT PROBE	1
	NS02-005 NUT - HEX KEPS - #6-32 C	11
□□ 3	60536 ASSY - TRANSFORMER - 24V/230V	1
□□ 3	60207 ASSY - TRANSFORMER - 24V/120V	1
□□ 4	14949 ASSY - CONTROL - C1000	1
□ 5	ME70-005 SPEAKER - 16 OHM - 2 INCH	1
6	77648 COVER - PCB	1

